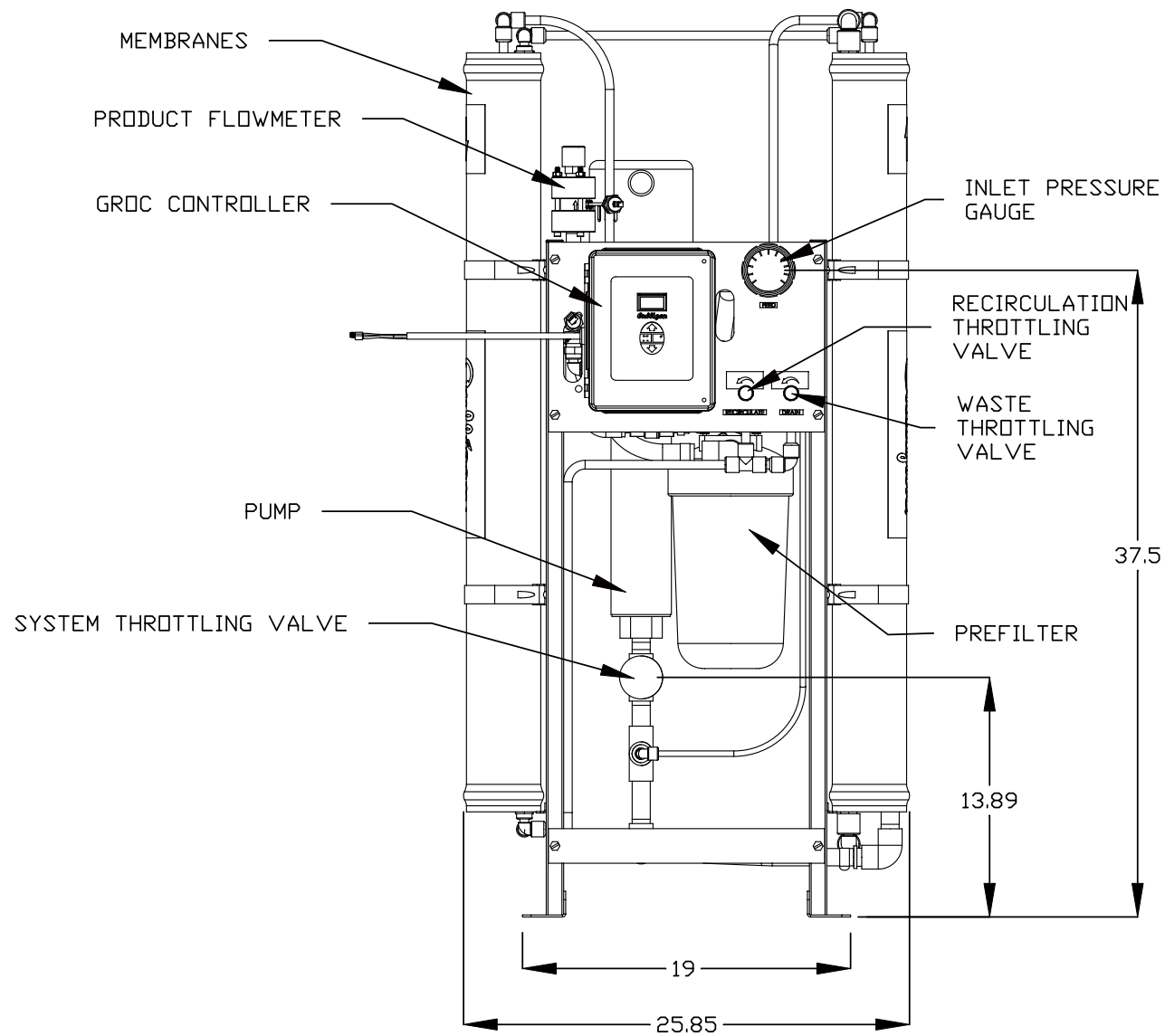


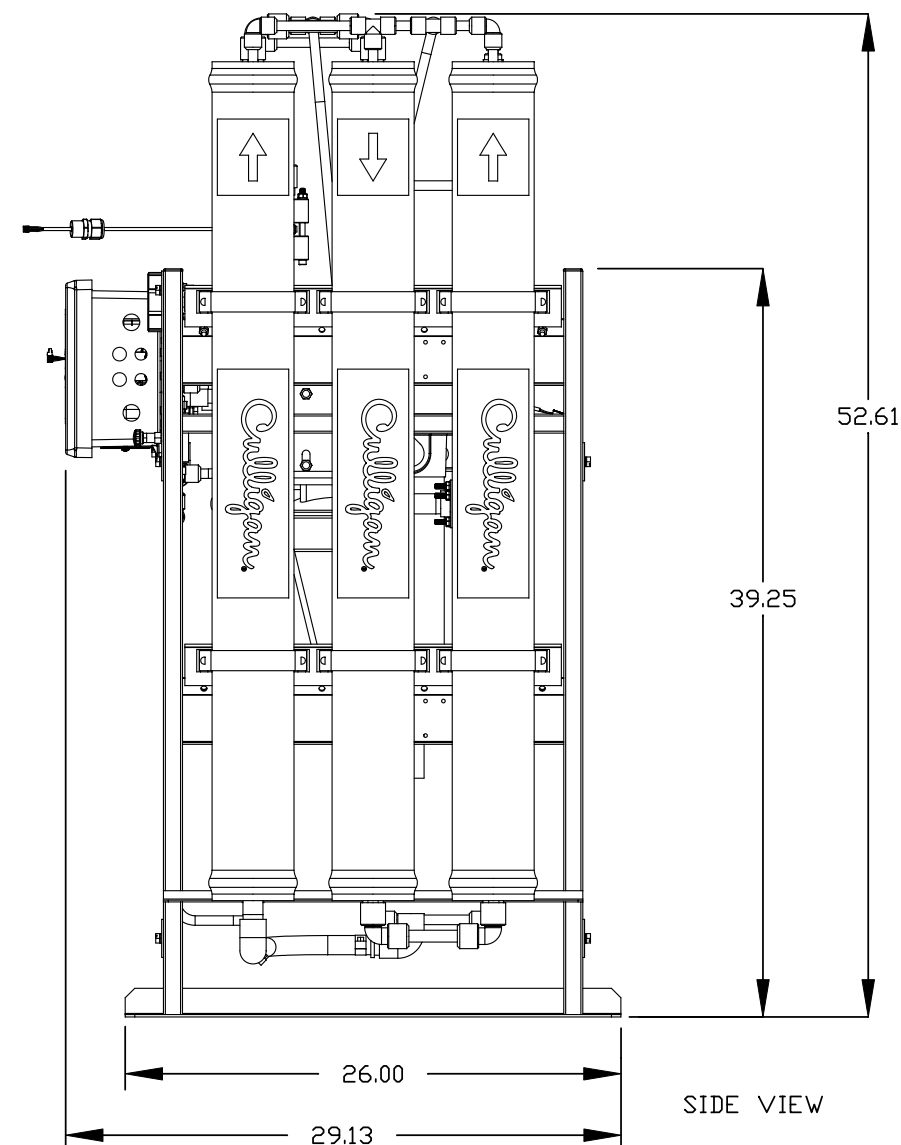
NOTES:

- (1) ALL DIMENSIONS ARE GIVEN IN INCHES AND ARE APPROXIMATE.
- (2) MODEL M2-6 IS SHOWN.
- (3) ALLOW 45 INCHES ABOVE THE UNIT FOR SERVICING AND REPLACEMENT OF MODULES.
- (4) PROVIDE A DRAIN CAPABLE OF HANDLING AT LEAST 3.5 GALLONS PER MINUTE. DO NOT MAKE A DIRECT CONNECTION TO THE DRAIN. PROVIDE AN AIR GAP OF AT LEAST FOUR TIMES THE DIAMETER OF THE DRAIN PIPE TO CONFORM TO SANITATION CODES AND TO PERMIT THE OBSERVATION OF THE DRAIN FLOW. DO NOT INSTALL A VALVE IN DRAIN LINE OR USE PIPE SMALLER THAN LISTED IN TABLE.
- (5) PLUMBING CONNECTIONS:
 FEED: 1/2" NPT
 PRODUCT: 1/2" NPT
 WASTE: 1/2" TUBE

| MODEL | NOMINAL CAPACITY (GPM/LPM) | NOMINAL CAPACITY (GPD/m ³ /h) | MODULE QTY & SIZE | APPROX. SYSTEM RECOVERY % | MOTOR (HP/KW) | ELECTRIC POWER REQUIRED (VAC) |
|-------|----------------------------|--|-------------------|---------------------------|-------------------|-------------------------------|
| M2-2 | 2.78 | 4000 | (2), 4" X 40" | 50 | 1.0 HP 0.75 KW | 208-230/1/60 |
| | 10.52 | 0.63 | | | | |
| M2-3 | 4.03 | 5800 | (3), 4" X 40" | 60 | | |
| | 15.25 | 0.91 | | | | |
| M2-4 | 5.21 | 7500 | (4), 4" X 40" | 60 | | |
| | 19.72 | 1.18 | | | | |
| M2-5 | 6.25 | 9000 | (5), 4" X 40" | 75 | | |
| | 23.66 | 1.42 | | | | |
| M2-6 | 6.94 | 10000 | (6), 4" X 40" | 75 | | |
| | 26.29 | 1.58 | | | | |



FRONT VIEW
MODEL M2-6 SHOWN



SIDE VIEW

| | | | | | | | | |
|--|--------|----|-----|------|---|--|----------------------------|-----------------|
| DO NOT SCALE DRAWING TOLERANCES: ±1/8" UNLESS OTHERWISE NOTED | | | | | ENGINEERED SYSTEMS ROSEMONT, ILLINOIS <small>PRINT AND BILL OF MATERIAL ARE NOT TO BE USED WITHOUT THE WRITTEN CONSENT OF CULLIGAN INTERNATIONAL CO.</small> | NAME SERIES M2 REVERSE OSMOSIS SYSTEMS TECHNICAL DATA SHEET | | |
| Let. | Change | By | App | Date | | DETAILED BY: KMR 11/19/2008 | APP. BY: KSR 12/08/2009 | SHEET 1 OF 1 |
| | | | | | | REF. NO. | PART NO. | |
| | | | | | | | | |
| | | | | | | | | |
| | | | | | | SERIES_M2 | | |