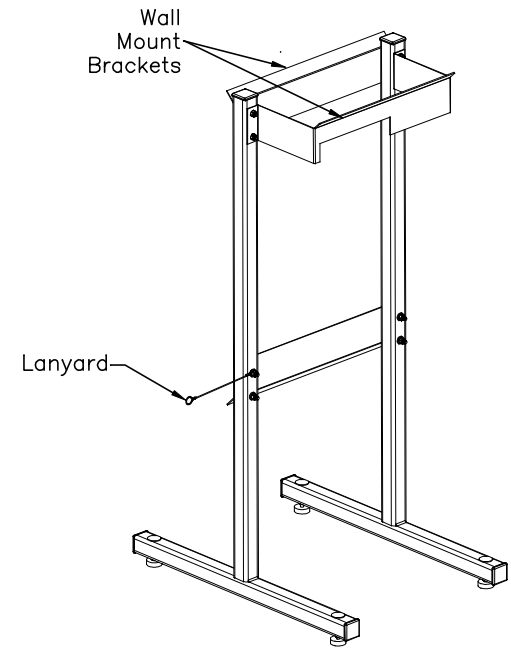
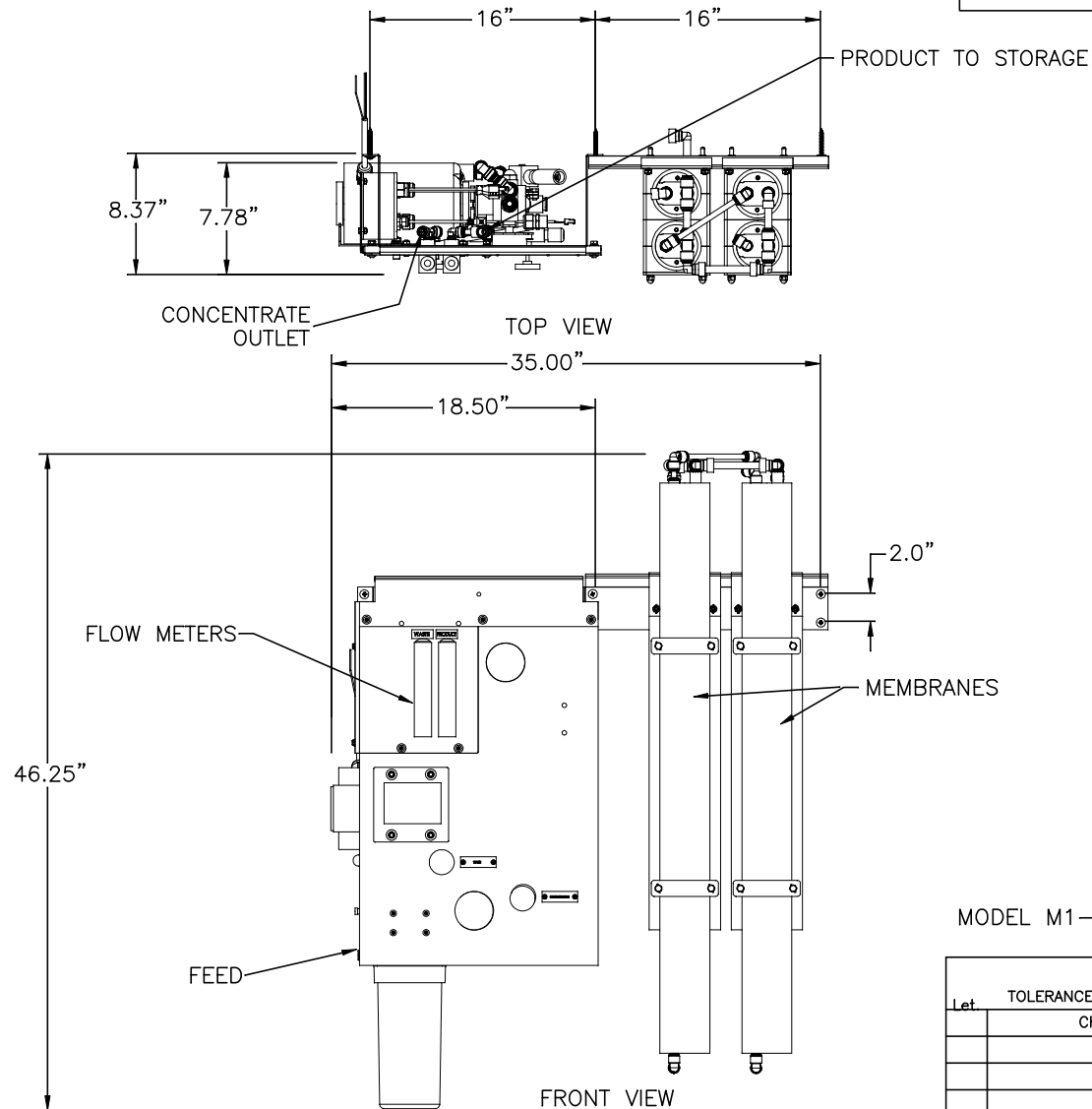


NOTES:

- (1) ALL DIMENSIONS ARE GIVEN IN INCHES AND ARE APPROXIMATE.
- (2) THE RO INLET WATER CONNECTION IS 1/2" TUBING.
- (3) THE PRODUCT WATER CONNECTION IS 1/2" TUBING FOR ALL UNITS.
- (4) THE CONCENTRATE WATER CONNECTION IS 3/8" TUBING FOR ALL UNITS.
- (5) AN OPTIONAL BRACKET FOR WALL MOUNTING ON 16", 18" OR 20" CENTERS IS AVAILABLE. THE WALL MUST BE CAPABLE OF SUPPORTING AT LEAST 93 POUNDS.
- (6) PROVIDE A DRAIN CAPABLE OF HANDLING AT LEAST 2.3 GALLONS PER MINUTE. DO NOT MAKE A DIRECT CONNECTION TO THE DRAIN. PROVIDE AN AIR GAP OF AT LEAST FOUR TIMES THE DIAMETER OF THE DRAIN PIPE TO CONFORM TO SANITATION CODES AND TO PERMIT THE OBSERVATION OF THE DRAIN FLOW. DO NOT INSTALL A VALVE IN DRAIN LINE.
- (7) THE POWER CORD IS 6 FEET LONG.

| MODEL | NOMINAL CAPACITY GPM | NOMINAL CAPACITY GPD | MODULE QTY & SIZE | APPROX. SYSTEM RECOV. % | MOTOR HP | ELECTRIC POWER REQD VAC | DIMENSIONS L x W x D INCHES | OPER. WEIGHT LBS |
|-------|----------------------|----------------------|-------------------|-------------------------|----------|-------------------------|-----------------------------|------------------|
| M1-1S | 0.17 | 250 | 1, 2.5 x 21 | 25 | 1/3 | 115/1/60 | 37.75 x 37 x 10 | 77 |
| M1-2S | 0.35 | 500 | 2, 2.5 x 21 | 50 | 1/3 | 115/1/60 | 37.75 x 37 x 10 | 81 |
| M1-3S | 0.52 | 750 | 3, 2.5 x 21 | 50 | 1/3 | 115/1/60 | 37.75 x 37 x 10 | 92 |
| M1-4S | 0.69 | 1000 | 4, 2.5 x 21 | 50 | 1/2 | 115/1/60 | 37.75 x 37 x 10 | 96 |
| M1-2L | 0.83 | 1200 | 2, 2.5 x 40 | 50 | 3/4 | 115/1/60 | 46.25 x 37 x 10 | 88 |
| M1-3L | 1.18 | 1700 | 3, 2.5 x 40 | 50 | 3/4 | 115/1/60 | 46.25 x 37 x 10 | 103 |
| M1-4L | 1.53 | 2200 | 4, 2.5 x 40 | 50 | 3/4 | 115/1/60 | 46.25 x 37 x 10 | 111 |
| M1-1F | 1.39 | 2000 | 1, 4 x 40 | 25 | 3/4 | 115/1/60 | 46.25 x 37 x 10 | 97 |
| M1-2F | 2.78 | 4000 | 2, 4 x 40 | 50 | 3/4 | 115/1/60 | 46.25 x 37 x 10 | 129 |



OPTIONAL FLOOR STAND
17"W x 43"H x 24"D

MODEL M1-4L SHOWN

| | | | | | | | | |
|------------------------------------------------------------------|--------|----|-----|----------------------------------------------------------------------------------------------------------------------------------------------------------------|--|-------------------------------------------------------------------|------------------------------|----------|
| DO NOT SCALE DRAWING TOLERANCES: ±1/8" UNLESS OTHERWISE NOTED | | | | ENGINEERED SYSTEMS ROSEMONT, ILLINOIS PRINT AND BILL OF MATERIAL ARE NOT TO BE USED WITHOUT THE WRITTEN CONSENT OF CULLIGAN INTERNATIONAL CO. | | NAME SERIES M1 REVERSE OSMOSIS UNIT TECHNICAL DATA SHEET | | |
| Let | Change | By | App | | | Date | DETAILED BY: KSR 11/20/09 | APP. BY: |
| | | | | | | REF. NO. | PART NO. RO_M1 | |