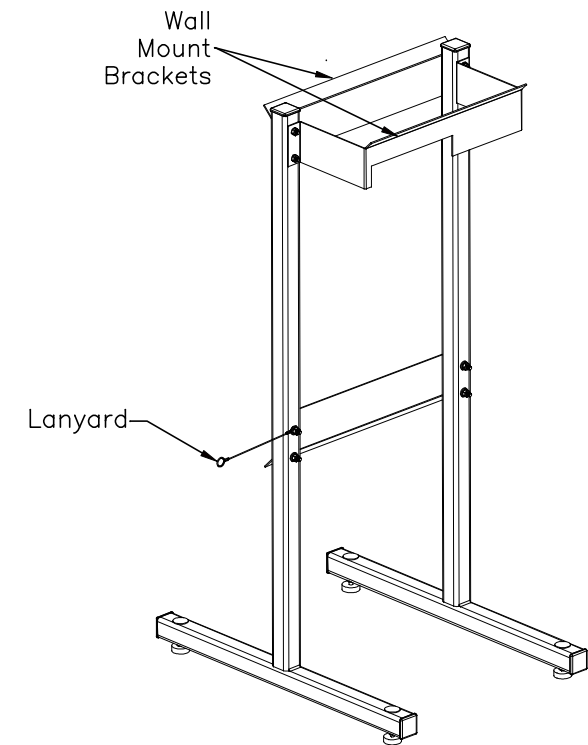
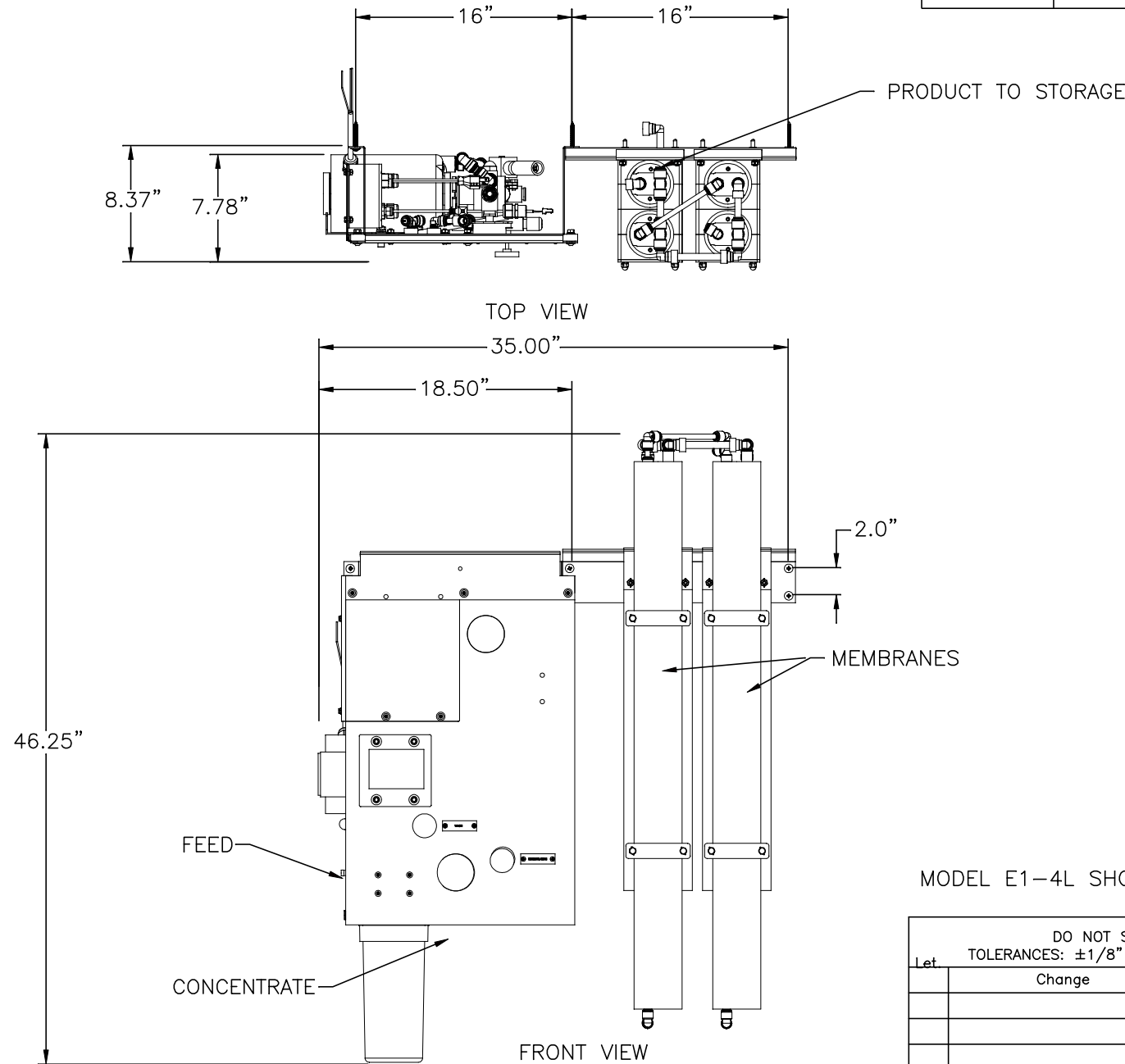


NOTES:

- (1) ALL DIMENSIONS ARE GIVEN IN INCHES AND ARE APPROXIMATE.
- (2) THE RO INLET WATER CONNECTION IS 1/2" TUBING.
- (3) THE PRODUCT WATER CONNECTION IS 1/2" TUBING FOR ALL UNITS.
- (4) THE CONCENTRATE WATER CONNECTION IS 3/8" TUBING FOR ALL UNITS.
- (5) AN OPTIONAL BRACKET FOR WALL MOUNTING ON 16", 18" OR 20" CENTERS IS AVAILABLE. THE WALL MUST BE CAPABLE OF SUPPORTING AT LEAST 93 POUNDS.
- (6) PROVIDE A DRAIN CAPABLE OF HANDLING AT LEAST 2.3 GALLONS PER MINUTE. DO NOT MAKE A DIRECT CONNECTION TO THE DRAIN. PROVIDE AN AIR GAP OF AT LEAST FOUR TIMES THE DIAMETER OF THE DRAIN PIPE TO CONFORM TO SANITATION CODES AND TO PERMIT THE OBSERVATION OF THE DRAIN FLOW. DO NOT INSTALL A VALVE IN DRAIN LINE.
- (7) THE POWER CORD IS 6 FEET LONG.

MODEL	NOMINAL CAPACITY GPM	NOMINAL CAPACITY GPD	MODULE QTY & SIZE	APPROX. SYSTEM RECOV. %	MOTOR HP	ELECTRIC POWER REQD VAC	DIMENSIONS L x W x D INCHES	OPER. WEIGHT LBS
E1-1S	0.17	250	1, 2.5 x 21	25	1/3	115/1/60	37.75 x 37 x 10	77
E1-2S	0.35	500	2, 2.5 x 21	50	1/3	115/1/60	37.75 x 37 x 10	81
E1-3S	0.52	750	3, 2.5 x 21	50	1/3	115/1/60	37.75 x 37 x 10	92
E1-4S	0.69	1000	4, 2.5 x 21	50	1/2	115/1/60	37.75 x 37 x 10	96
E1-2L	0.83	1200	2, 2.5 x 40	50	3/4	115/1/60	46.25 x 37 x 10	88
E1-3L	1.18	1700	3, 2.5 x 40	50	3/4	115/1/60	46.25 x 37 x 10	103
E1-4L	1.53	2200	4, 2.5 x 40	50	3/4	115/1/60	46.25 x 37 x 10	111
E1-1F	1.39	2000	1, 4 x 40	25	3/4	115/1/60	46.25 x 37 x 10	97
E1-2F	2.78	4000	2, 4 x 40	50	3/4	115/1/60	46.25 x 37 x 10	129



OPTIONAL FLOOR STAND  
17"W x 43"H x 24"D

MODEL E1-4L SHOWN

DO NOT SCALE DRAWING TOLERANCES: ±1/8" UNLESS OTHERWISE NOTED				<b>Culligan®</b> <b>ENGINEERED SYSTEMS</b> ROSEMONT, ILLINOIS		NAME SERIES E1 REVERSE OSMOSIS UNIT TECHNICAL DATA SHEET	
Let.	Change	By	App	Date	DETAILED BY: KSR 11/20/09		APP. BY: SHEET 1 OF 1
PRINT AND BILL OF MATERIAL ARE NOT TO BE USED WITHOUT THE WRITTEN CONSENT OF CULLIGAN INTERNATIONAL CO.						REF. NO.	PART NO. RO_E1