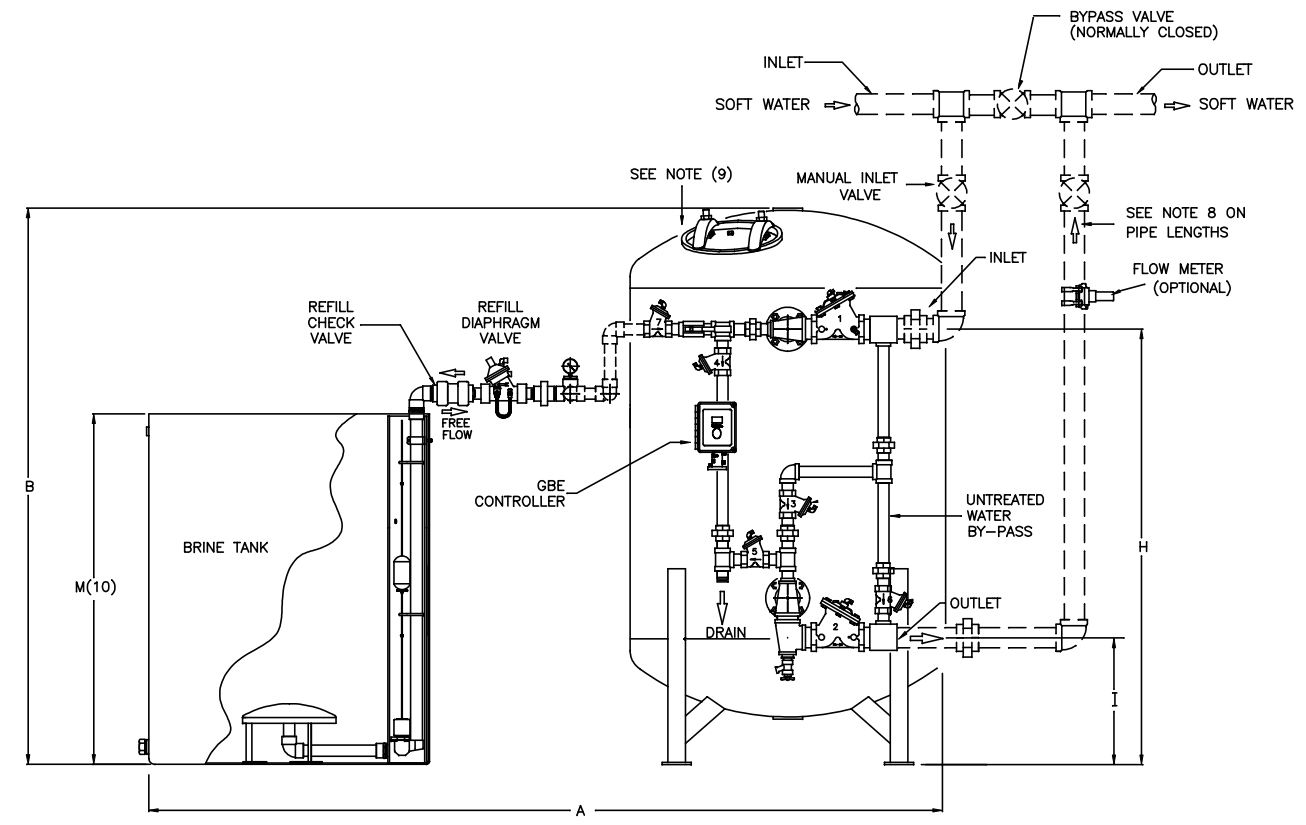
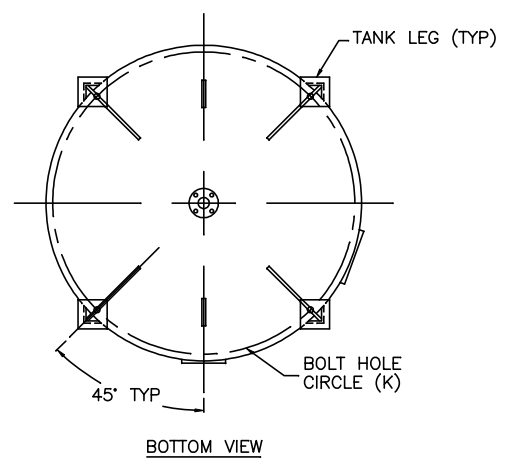
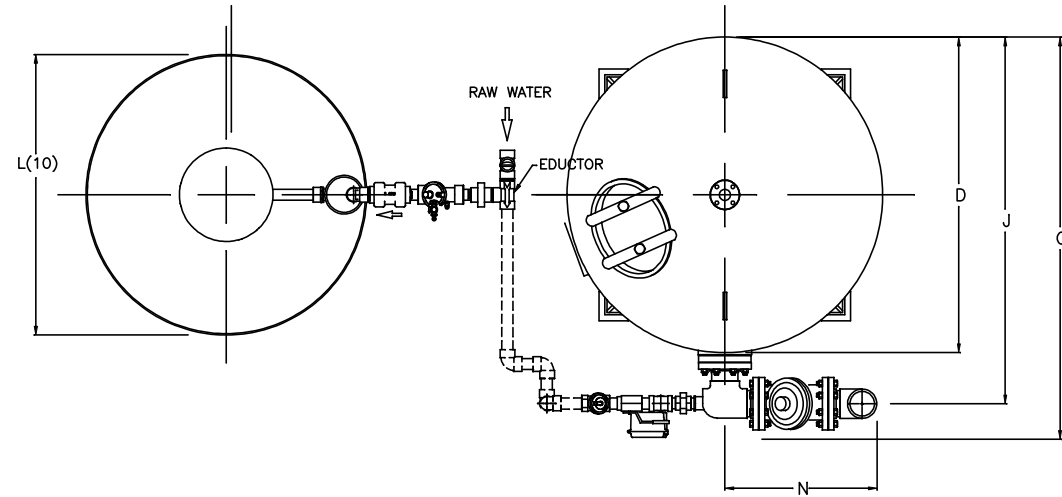



NOTES:

- (1) ITEMS SHOWN IN BROKEN LINES TO BE FURNISHED BY OTHERS.
- (2) ALL DIMENSIONS ARE ± 1 INCH (25mm) AND SUBJECT TO CHANGE WITHOUT NOTICE.
- (3) UNIONS SHOULD BE LOCATED ON INLET AND OUTLET CONNECTIONS OF HARNESS TO FACILITATE SERVICING.
- (4) THE USE OF DISSIMILAR METALS IN A PIPING SYSTEM IS NOT RECOMMENDED. WHERE DISSIMILAR METALS MUST BE CONNECTED IN A WATER SYSTEM. THE USE OF NONCONDUCTIVE (DIELECTRIC) FITTINGS MAY REDUCE GALVANIC CORROSION.
- (5) AN ELECTRICAL OUTLET SHOULD BE PROVIDED WITHIN FIVE FEET OF THE EQUIPMENT LOCATION.
- (6) ALLOW A MINIMUM OF 24 INCHES ABOVE SOFTENER FOR FILLING.
- (7) TO PERMIT THE OBSERVATION OF THE DRAIN FLOW DO NOT MAKE A DIRECT CONNECTION TO THE DRAIN. PROVIDE AN AIR GAP OF AT LEAST FOUR TIMES THE DIAMETER OF THE DRAIN PIPE OR CONFORM TO LOCAL SANITATION CODES.
- (8) WHEN USING A WATER METER, THERE MUST BE A MINIMUM AMOUNT OF STRAIGHT PIPE BEFORE AND AFTER THE SENSOR. REFER TO THE INSTALLATION INSTRUCTIONS FOR DETAILS.
- (9) ACCESS OPENINGS SHOWN ON TANK ARE FOR REFERENCE ONLY. QUANTITY, TYPE AND PLACEMENT ARE DEPENDENT ON TANK SIZE.
- (10) BRINE TANK DIMENSIONS SHOWN ARE FOR THE BRINE TANK MOST COMMONLY SELECTED FOR USE WITH THIS SIZE SYSTEM

MODEL	DIMENSIONS (INCHES)														UNIT DATA PER TANK							
	WIDTH A	HEIGHT B	DEPTH C	TANK DIA. D	SIDE-SHELL E	INLET/OUTLET PIPE SIZES F	DRAIN SIZE G	FLOOR TO INLET H	FLOOR TO OUTLET I	BACK TO INLET/OUTLET J	BOLT HOLE CIRCLE K	BRINE TANK DIA. L(10)	BRINE TANK HEIGHT M(10)	INLET/OUTLET OFFSET N	MAX. CAPACITY KGR @ SALT DOSAGE	RESIN VOLUME ft ³	CONTINUOUS FLOW gpm @ psi drop	PEAK FLOW gpm @ psi drop	DRAIN FLOW gpm	MIN. DRAIN PIPE SIZE IN.	SIMPLEX OPER. WT. lbs.	SIMPLEX SHIP. WT. lbs.
HS-1203	129	93	60.5	48	60	3.0	1.5	73.25	20.6	55.0	45.7	48	60	18.75	1200 @ 600	40	150 @ 8	230 @ 15	60	2.0	12800	5800
HS-1503	135	96	66.5	54	60	3.0	1.5	78.5	21.7	61.0	51.7	48	60	18.75	1500 @ 750	50	160 @ 7	230 @ 14	70	2.0	15400	7400

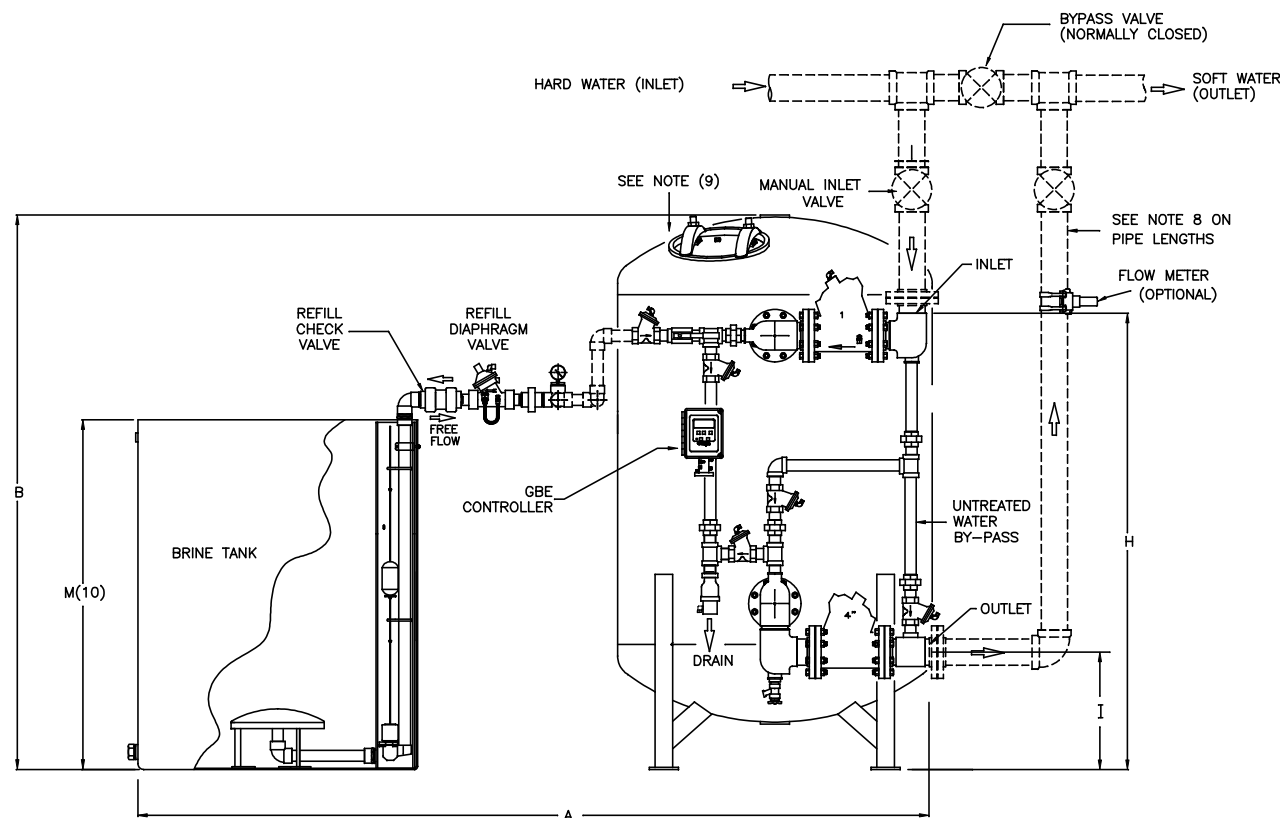
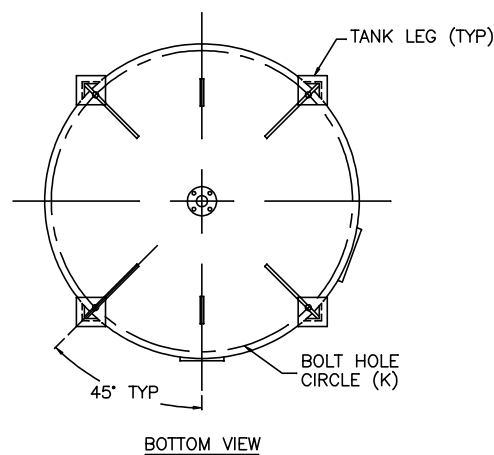
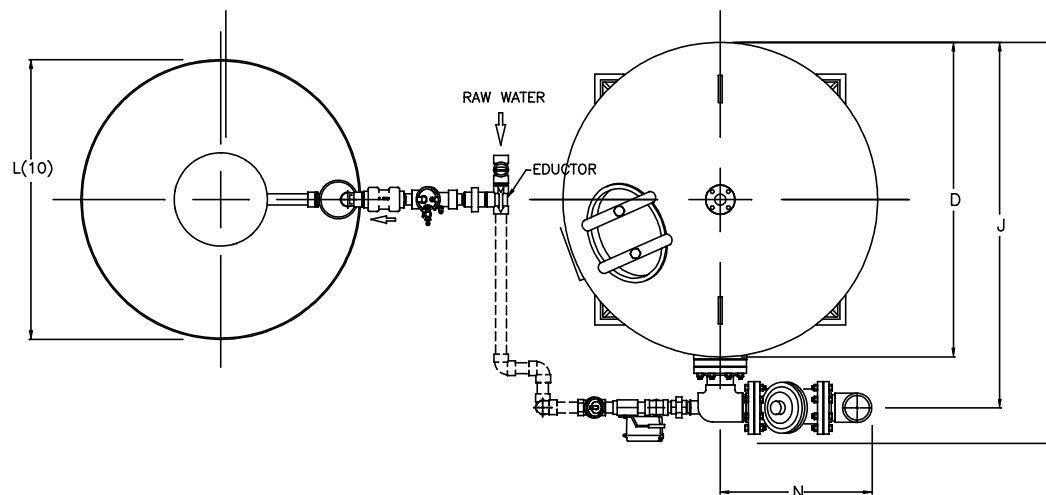


DO NOT SCALE DRAWING TOLERANCES: ±1/8" UNLESS OTHERWISE NOTED					 ENGINEERED SYSTEMS ROSEMONT, ILLINOIS PRINT AND BILL OF MATERIAL ARE NOT TO BE USED WITHOUT THE WRITTEN CONSENT OF CULLIGAN INTERNATIONAL CO.	NAME HI-FLO 50 SOFTENERS MODELS - 1203 & 1503 TECHNICAL DATA SHEET		
Let.	Change	By	App	Date		DETAILED BY: KMR 12/17/07	APP. BY: KSR 01/12/10	SHEET 1 OF 1
						REF. NO.	PART NO.	
						HF-50-3_Tech_SNG		

NOTES:

- (1) ITEMS SHOWN IN BROKEN LINES TO BE FURNISHED BY OTHERS.
- (2) ALL DIMENSIONS ARE ± 1 INCH (25mm) AND SUBJECT TO CHANGE WITHOUT NOTICE.
- (3) UNIONS SHOULD BE LOCATED ON INLET AND OUTLET CONNECTIONS OF HARNESS TO FACILITATE SERVICING.
- (4) THE USE OF DISSIMILAR METALS IN A PIPING SYSTEM IS NOT RECOMMENDED. WHERE DISSIMILAR METALS MUST BE CONNECTED IN A WATER SYSTEM. THE USE OF NONCONDUCTIVE (DIELECTRIC) FITTINGS MAY REDUCE GALVANIC CORROSION.
- (5) AN ELECTRICAL OUTLET SHOULD BE PROVIDED WITHIN FIVE FEET OF THE EQUIPMENT LOCATION.
- (6) ALLOW A MINIMUM OF 24 INCHES ABOVE SOFTENER FOR FILLING.
- (7) TO PERMIT THE OBSERVATION OF THE DRAIN FLOW DO NOT MAKE A DIRECT CONNECTION TO THE DRAIN. PROVIDE AN AIR GAP OF AT LEAST FOUR TIMES THE DIAMETER OF THE DRAIN PIPE OR CONFORM TO LOCAL SANITATION CODES.
- (8) WHEN USING A WATER METER, THERE MUST BE A MINIMUM AMOUNT OF STRAIGHT PIPE BEFORE AND AFTER THE SENSOR. REFER TO THE INSTALLATION INSTRUCTIONS FOR DETAILS.
- (9) ACCESS OPENINGS SHOWN ON TANK ARE FOR REFERENCE ONLY. QUANTITY, TYPE AND PLACEMENT ARE DEPENDENT ON TANK SIZE.
- (10) BRINE TANK DIMENSIONS SHOWN ARE FOR THE BRINE TANK MOST COMMONLY SELECTED FOR USE WITH THIS SIZE SYSTEM

MODEL	DIMENSIONS (INCHES)														UNIT DATA PER TANK							
	WIDTH A	HEIGHT B	DEPTH C	TANK DIA. D	SIDE-SHELL E	INLET/OUTLET PIPE SIZES F	DRAIN SIZE G	FLOOR TO INLET H	FLOOR TO OUTLET I	BACK TO INLET/OUTLET J	BOLT HOLE CIRCLE K	BRINE TANK DIA. L(10)	BRINE TANK HEIGHT M(10)	INLET/OUTLET OFFSET N	MAX. CAPACITY KGR @ SALT DOSAGE	RESIN VOLUME ft ³	CONTINUOUS FLOW gpm @ psi drop	PEAK FLOW gpm @ psi drop	DRAIN FLOW gpm	MIN. DRAIN PIPE SIZE IN.	SIMPLEX OPER. WT. lbs.	SIMPLEX SHIP. WT. lbs.
HS-1504	135	96	69	54	60	4.0	1.5	78.5	20.0	63.0	51.7	48	60	26	1500 @ 750	50	190 @ 6	320 @ 15	70	2.0	15800	7800
HS-2004	153	99	76	60	60	4.0	1.5	79.5	21.3	69.68	57.63	60	60	26	2000 @ 1005	67	240 @ 7	400 @ 18	90	2.0	20900	9600



DO NOT SCALE DRAWING TOLERANCES: ±1/8" UNLESS OTHERWISE NOTED				
Let.	Change	By	App	Date

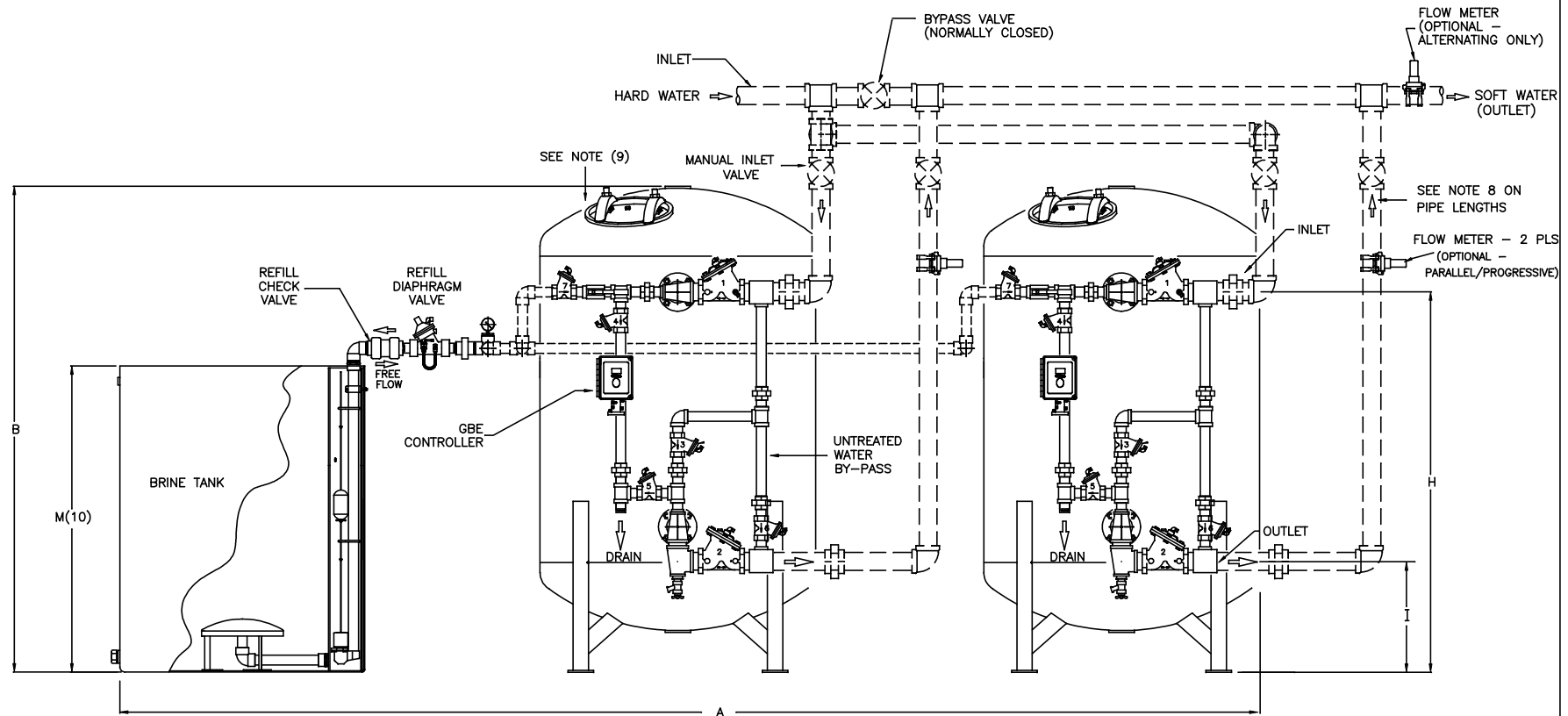
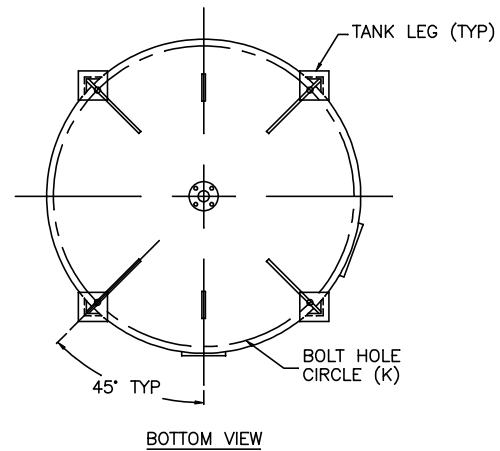
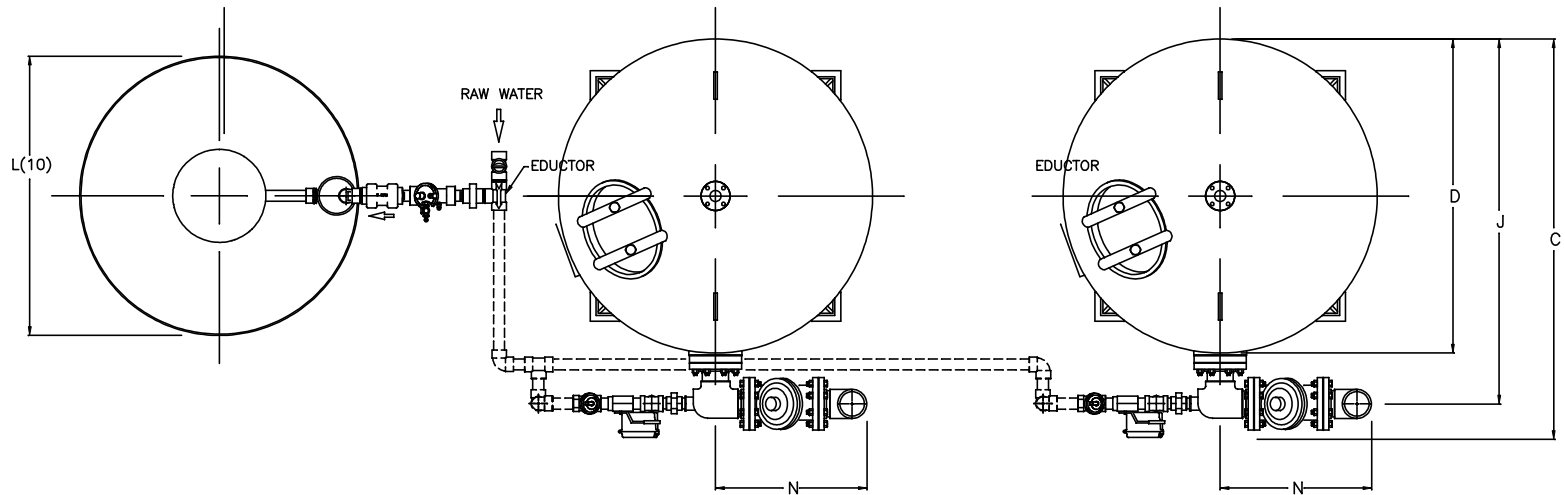
Culligan®
ENGINEERED SYSTEMS
 ROSEMONT, ILLINOIS
 PRINT AND BILL OF MATERIAL ARE NOT TO BE USED WITHOUT THE WRITTEN CONSENT OF CULLIGAN INTERNATIONAL CO.

NAME HI-FLO 50 SOFTENERS MODELS - 1504 & 2004 TECHNICAL DATA SHEET		
DETAILED BY: KMR 12/17/07	APP. BY: KSR 01/12/10	SHEET 1 OF 1
REF. NO.	PART NO. HF-50-4_Tech_S	

NOTES:

- (1) ITEMS SHOWN IN BROKEN LINES TO BE FURNISHED BY OTHERS.
- (2) ALL DIMENSIONS ARE ± 1 INCH (25mm) AND SUBJECT TO CHANGE WITHOUT NOTICE.
- (3) UNIONS SHOULD BE LOCATED ON INLET AND OUTLET CONNECTIONS OF HARNESS TO FACILITATE SERVICING.
- (4) THE USE OF DISSIMILAR METALS IN A PIPING SYSTEM IS NOT RECOMMENDED. WHERE DISSIMILAR METALS MUST BE CONNECTED IN A WATER SYSTEM. THE USE OF NONCONDUCTIVE (DIELECTRIC) FITTINGS MAY REDUCE GALVANIC CORROSION.
- (5) AN ELECTRICAL OUTLET SHOULD BE PROVIDED WITHIN FIVE FEET OF THE EQUIPMENT LOCATION.
- (6) ALLOW A MINIMUM OF 24 INCHES ABOVE SOFTENER FOR FILLING.
- (7) TO PERMIT THE OBSERVATION OF THE DRAIN FLOW DO NOT MAKE A DIRECT CONNECTION TO THE DRAIN. PROVIDE AN AIR GAP OF AT LEAST FOUR TIMES THE DIAMETER OF THE DAIN PIPE OR CONFORM TO LOCAL SANITATION CODES.
- (8) WHEN USING A WATER METER, THERE MUST BE A MINIMUM AMOUNT OF STRAIGHT PIPE BEFORE AND AFTER THE SENSOR. REFER TO THE INSTALLATION INSTRUCTIONS FOR DETAILS.
- (9) ACCESS OPENINGS SHOWN ON TANK ARE FOR REFERENCE ONLY. QUANTITY, TYPE AND PLACEMENT ARE DEPENDENT ON TANK SIZE.
- (10) BRINE TANK DIMENSIONS SHOWN ARE FOR THE BRINE TANK MOST COMMONLY SELECTED FOR USE WITH THIS SIZE SYSTEM

MODEL	DIMENSIONS (INCHES)														UNIT DATA PER TANK							
	WIDTH A	HEIGHT B	DEPTH C	TANK DIA. D	SIDE-SHELL E	INLET/OUTLET PIPE SIZES F	DRAIN SIZE G	FLOOR TO INLET H	FLOOR TO OUTLET I	BACK TO INLET/OUTLET J	BOLT HOLE CIRCLE K	BRINE TANK DIA. L(10)	BRINE TANK HEIGHT M(10)	INLET/OUTLET OFFSET N	MAX. CAPACITY KGR @ SALT DOSAGE	RESIN VOLUME ft ³	CONTINUOUS FLOW gpm @ psi drop	PEAK FLOW gpm @ psi drop	DRAIN FLOW gpm	MIN. DRAIN PIPE SIZE IN.	DUPLEX OPER. WT. lbs.	DUPLEX SHIP. WT. lbs.
HS-1203	205	93	60.5	48	60	3.0	1.5	73.25	20.6	55.0	45.7	48	60	18.75	1200 @ 600	40	150 @ 8	230 @ 15	60	2.0	23200	11400
HS-1503	217	96	66.5	54	60	3.0	1.5	78.5	21.7	61.0	51.7	48	60	18.75	1500 @ 750	50	160 @ 7	230 @ 14	70	2.0	28400	14600



DO NOT SCALE DRAWING
TOLERANCES: ±1/8" UNLESS OTHERWISE NOTED

Let.	Change	By	App	Date

Culligan®
ENGINEERED SYSTEMS
ROSEMONT, ILLINOIS

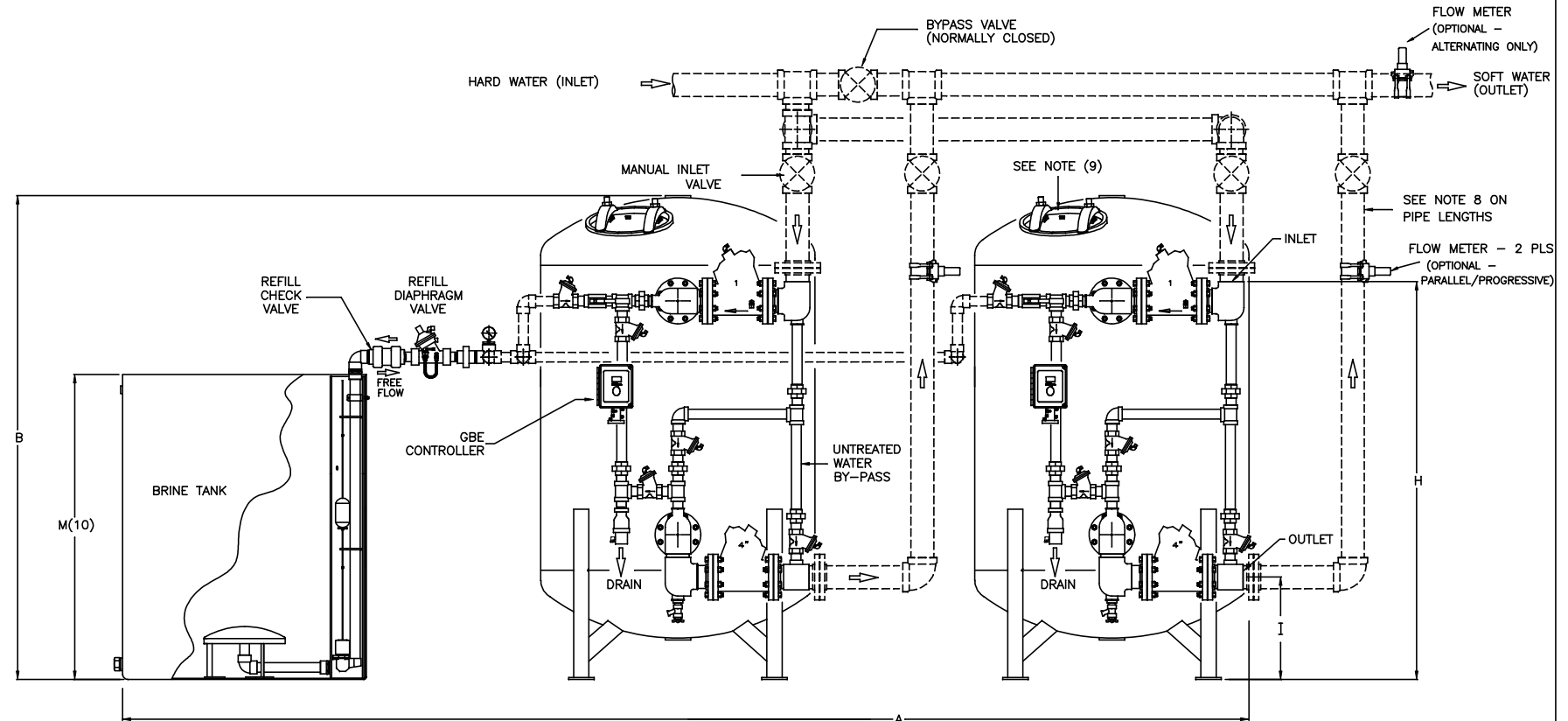
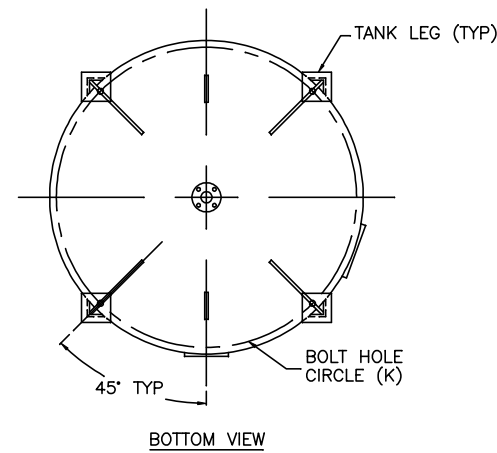
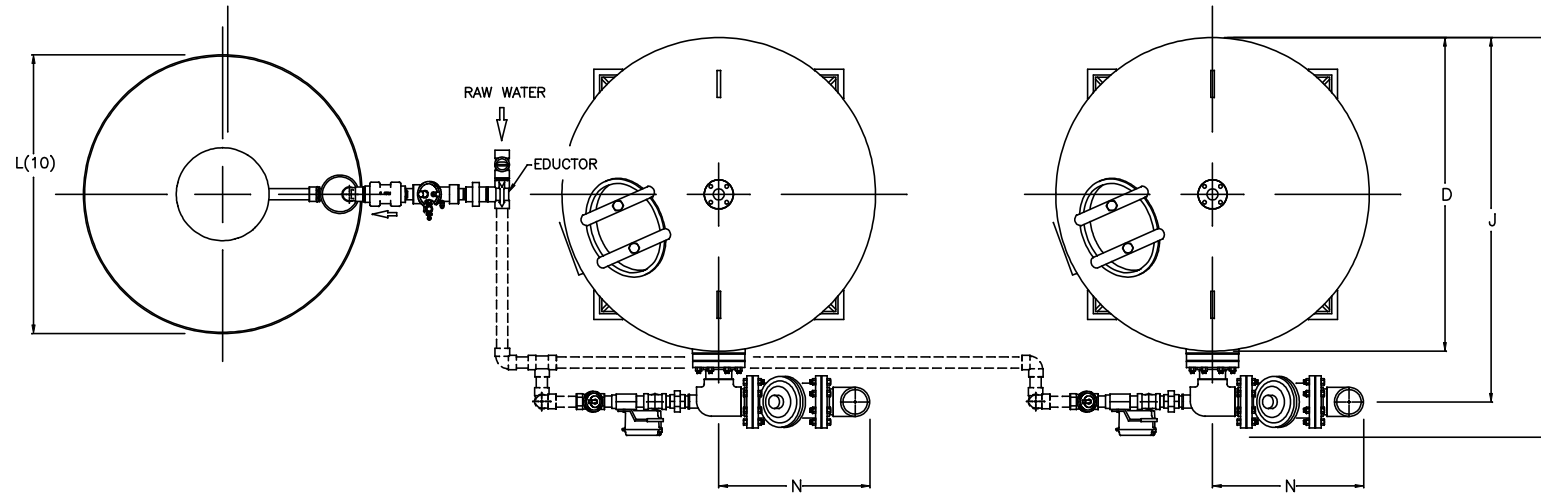
PRINT AND BILL OF MATERIAL ARE NOT TO BE USED WITHOUT THE WRITTEN CONSENT OF CULLIGAN INTERNATIONAL CO.

NAME HI-FLO 50 SOFTENERS MODELS - 1203 & 1503 TECHNICAL DATA SHEET		
DETAILED BY: KMR 12/17/07	APP. BY: KSR 01/11/10	SHEET 1 OF 1
REF. NO.	PART NO. HF-50-3_Tech_DUP	

NOTES:

- (1) ITEMS SHOWN IN BROKEN LINES TO BE FURNISHED BY OTHERS.
- (2) ALL DIMENSIONS ARE ± 1 INCH (25mm) AND SUBJECT TO CHANGE WITHOUT NOTICE.
- (3) UNIONS SHOULD BE LOCATED ON INLET AND OUTLET CONNECTIONS OF HARNESS TO FACILITATE SERVICING.
- (4) THE USE OF DISSIMILAR METALS IN A PIPING SYSTEM IS NOT RECOMMENDED. WHERE DISSIMILAR METALS MUST BE CONNECTED IN A WATER SYSTEM. THE USE OF NONCONDUCTIVE (DIELECTRIC) FITTINGS MAY REDUCE GALVANIC CORROSION.
- (5) AN ELECTRICAL OUTLET SHOULD BE PROVIDED WITHIN FIVE FEET OF THE EQUIPMENT LOCATION.
- (6) ALLOW A MINIMUM OF 24 INCHES ABOVE SOFTENER FOR FILLING.
- (7) TO PERMIT THE OBSERVATION OF THE DRAIN FLOW DO NOT MAKE A DIRECT CONNECTION TO THE DRAIN. PROVIDE AN AIR GAP OF AT LEAST FOUR TIMES THE DIAMETER OF THE DRAIN PIPE OR CONFORM TO LOCAL SANITATION CODES.
- (8) WHEN USING A WATER METER, THERE MUST BE A MINIMUM AMOUNT OF STRAIGHT PIPE BEFORE AND AFTER THE SENSOR. REFER TO THE INSTALLATION INSTRUCTIONS FOR DETAILS.
- (9) ACCESS OPENINGS SHOWN ON TANK ARE FOR REFERENCE ONLY. QUANTITY, TYPE AND PLACEMENT ARE DEPENDENT ON TANK SIZE.
- (10) BRINE TANK DIMENSIONS SHOWN ARE FOR THE BRINE TANK MOST COMMONLY SELECTED FOR USE WITH THIS SIZE SYSTEM

MODEL	DIMENSIONS (INCHES)														UNIT DATA PER TANK				DRAIN FLOW gpm	MIN. DRAIN PIPE SIZE IN.	DUPLEX OPER. WT. lbs.	DUPLEX SHIP. WT. lbs.
	WIDTH A	HEIGHT B	DEPTH C	TANK DIA. D	SIDE-SHELL E	INLET/OUTLET PIPE SIZES F	DRAIN SIZE G	FLOOR TO INLET H	FLOOR TO OUTLET I	BACK TO INLET/OUTLET J	BOLT HOLE CIRCLE K	BRINE TANK DIA. L(10)	BRINE TANK HEIGHT M(10)	INLET/OUTLET OFFSET N	MAX. CAPACITY KGR @ SALT DOSAGE	RESIN VOLUME ft ³	CONTINUOUS FLOW gpm @ psi drop	PEAK FLOW gpm @ psi drop				
HS-1504	217	96	69	54	60	4.0	1.5	78.5	20.0	63.0	51.7	48	60	26	1500 @ 750	50	190 @ 6	320 @ 15	70	2.0	29500	15400
HS-2004	241	99	76	60	60	4.0	1.5	79.5	21.3	69.68	57.63	60	60	26	2000 @ 1005	67	240 @ 7	400 @ 18	90	2.0	37800	18900



DO NOT SCALE DRAWING TOLERANCES: ±1/8" UNLESS OTHERWISE NOTED				
Let.	Change	By	App	Date

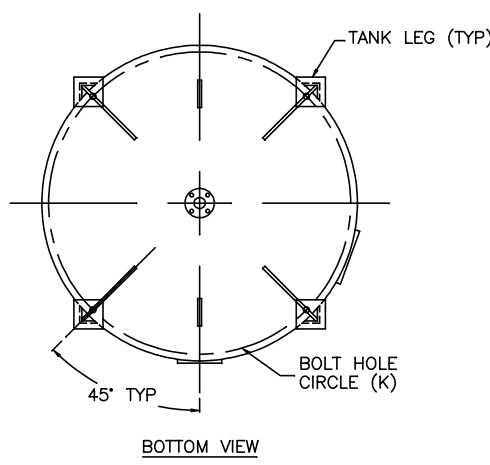
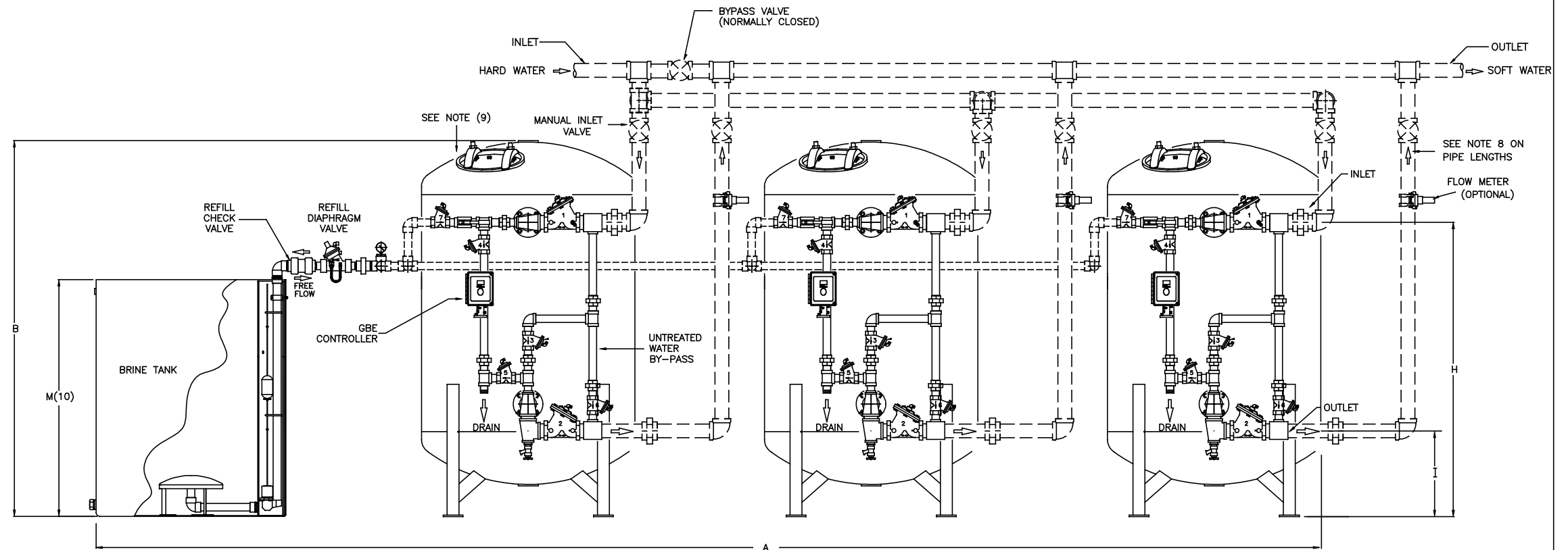
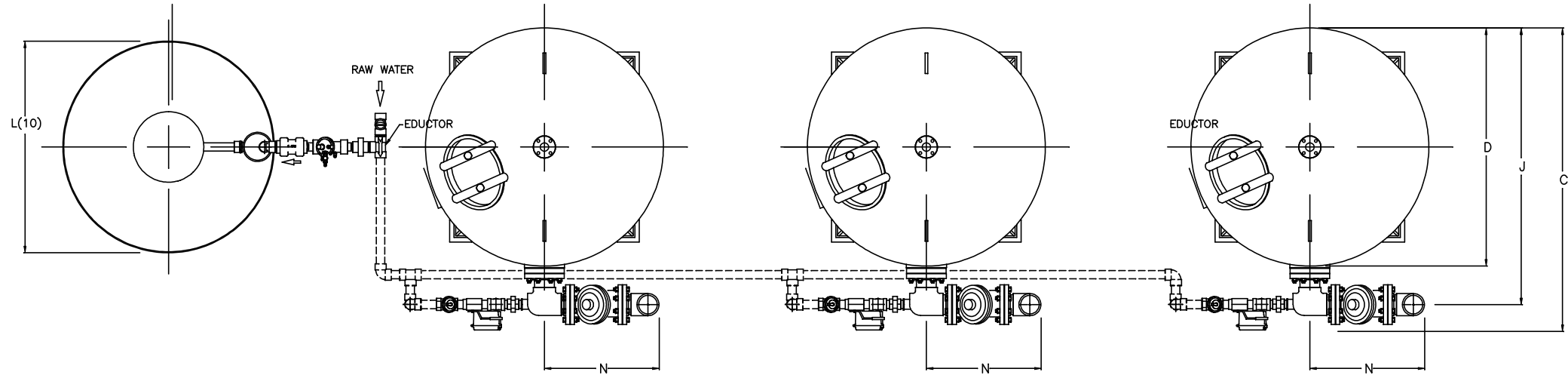
Culligan®
ENGINEERED SYSTEMS
 ROSEMONT, ILLINOIS
 PRINT AND BILL OF MATERIAL ARE NOT TO BE USED WITHOUT THE WRITTEN CONSENT OF CULLIGAN INTERNATIONAL CO.

NAME HI-FLO 50 SOFTENERS MODELS - 1504 & 2004 TECHNICAL DATA SHEET		
DETAILED BY: KMR 12/17/07	APP. BY: KSR 01/11/10	SHEET 1 OF 1
REF. NO.	PART NO. HF-50-4_Tech_DUP	

NOTES:

- (1) ITEMS SHOWN IN BROKEN LINES TO BE FURNISHED BY OTHERS.
- (2) ALL DIMENSIONS ARE ± 1 INCH (25mm) AND SUBJECT TO CHANGE WITHOUT NOTICE.
- (3) UNIONS SHOULD BE LOCATED ON INLET AND OUTLET CONNECTIONS OF HARNESS TO FACILITATE SERVICING.
- (4) THE USE OF DISSIMILAR METALS IN A PIPING SYSTEM IS NOT RECOMMENDED. WHERE DISSIMILAR METALS MUST BE CONNECTED IN A WATER SYSTEM, THE USE OF NONCONDUCTIVE (DIELECTRIC) FITTINGS MAY REDUCE GALVANIC CORROSION.
- (5) AN ELECTRICAL OUTLET SHOULD BE PROVIDED WITHIN FIVE FEET OF THE EQUIPMENT LOCATION.
- (6) ALLOW A MINIMUM OF 24 INCHES ABOVE SOFTENER FOR FILLING.
- (7) TO PERMIT THE OBSERVATION OF THE DRAIN FLOW DO NOT MAKE A DIRECT CONNECTION TO THE DRAIN. PROVIDE AN AIR GAP OF AT LEAST FOUR TIMES THE DIAMETER OF THE DRAIN PIPE OR CONFORM TO LOCAL SANITATION CODES.
- (8) WHEN USING A WATER METER, THERE MUST BE A MINIMUM AMOUNT OF STRAIGHT PIPE BEFORE AND AFTER THE SENSOR. REFER TO THE INSTALLATION INSTRUCTIONS FOR DETAILS.
- (9) ACCESS OPENINGS SHOWN ON TANK ARE FOR REFERENCE ONLY. QUANTITY, TYPE AND PLACEMENT ARE DEPENDENT ON TANK SIZE.
- (10) BRINE TANK DIMENSIONS SHOWN ARE FOR THE BRINE TANK MOST COMMONLY SELECTED FOR USE WITH THIS SIZE SYSTEM

MODEL	DIMENSIONS (INCHES)														UNIT DATA PER TANK				DRAIN FLOW gpm	MIN. DRAIN PIPE SIZE IN.	TRIPLEX OPER. WT. lbs.	TRIPLEX SHIP. WT. lbs.
	WIDTH A	HEIGHT B	DEPTH C	TANK DIA. D	SIDE-SHELL E	INLET/OUTLET PIPE SIZES F	DRAIN SIZE G	FLOOR TO INLET H	FLOOR TO OUTLET I	BACK TO INLET/OUTLET J	BOLT HOLE CIRCLE K	BRINE TANK DIA. L(10)	BRINE TANK HEIGHT M(10)	INLET/OUTLET OFFSET N	MAX. CAPACITY KGR @ SALT DOSAGE	RESIN VOLUME ft ³	CONTINUOUS FLOW gpm @ psi drop	PEAK FLOW gpm @ psi drop				
HS-1203	281	93	60.5	48	60	3.0	1.5	73.25	20.6	55.0	45.7	48	60	18.75	1200 @ 600	40	150 @ 8	230 @ 15	60	2.0	33600	17000
HS-1503	299	96	66.5	54	60	3.0	1.5	78.5	21.7	61.0	51.7	48	60	18.75	1500 @ 750	50	160 @ 7	230 @ 14	70	2.0	41400	21800



DO NOT SCALE DRAWING
TOLERANCES: ±1/8" UNLESS OTHERWISE NOTED

Let.	Change	By	App	Date

Culligan®
ENGINEERED SYSTEMS
ROSEMONT, ILLINOIS

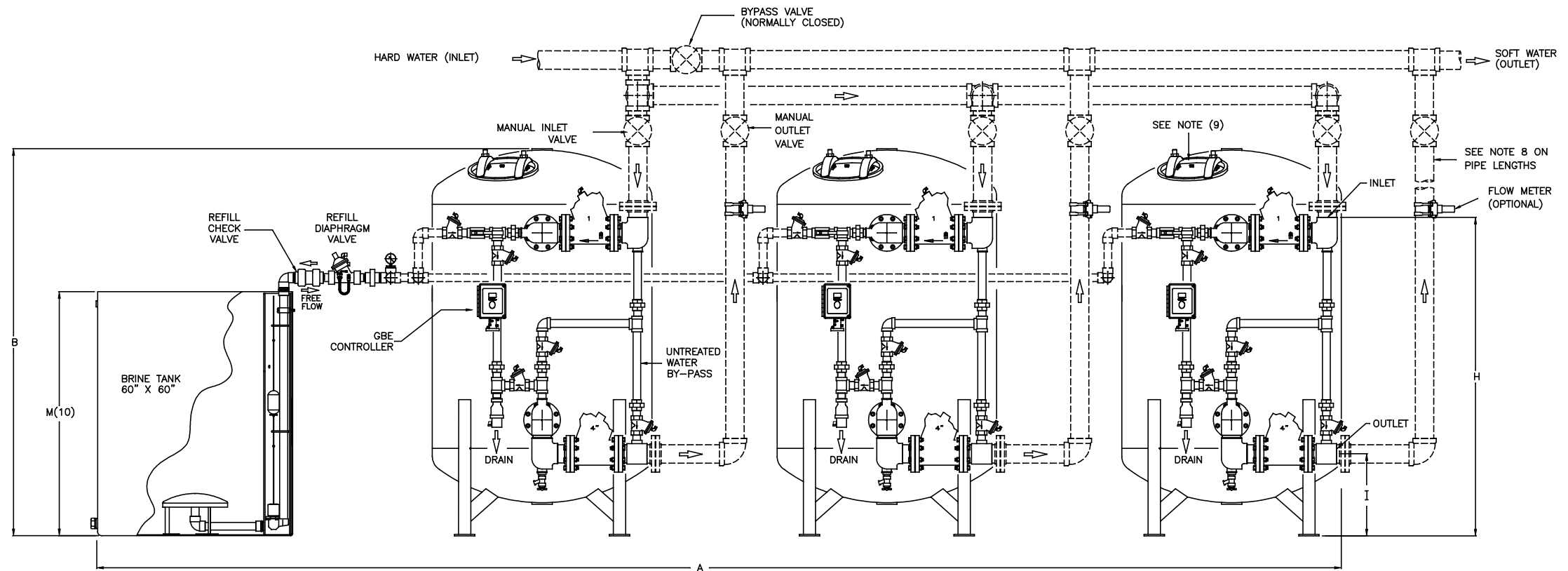
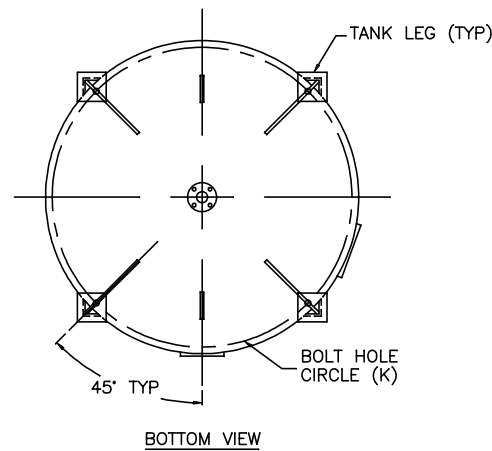
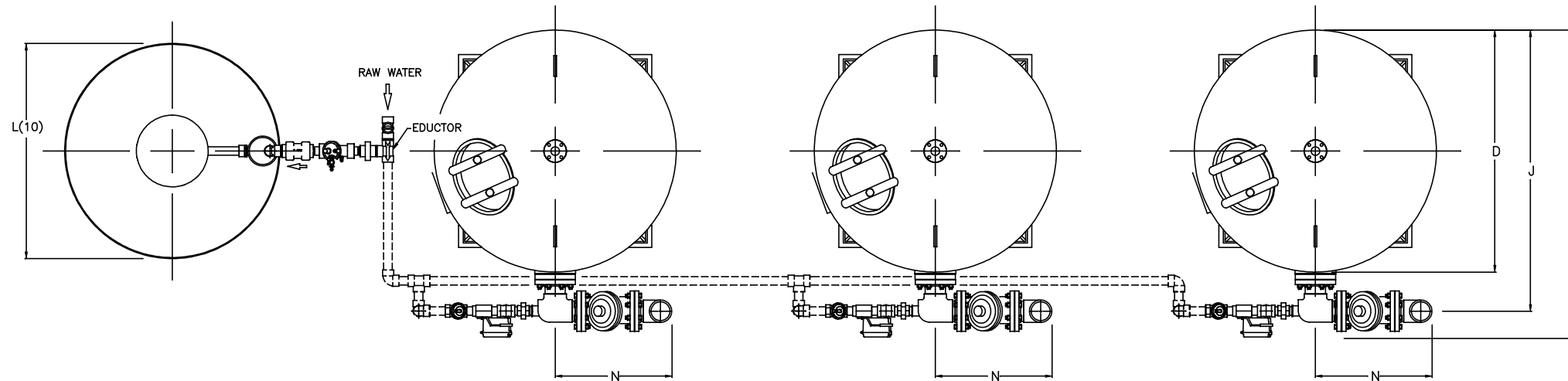
PRINT AND BILL OF MATERIAL ARE NOT TO BE USED WITHOUT THE WRITTEN CONSENT OF CULLIGAN INTERNATIONAL CO.

NAME HI-FLO 50 SOFTENERS MODELS - 1203 & 1503 TECHNICAL DATA SHEET		
DETAILED BY: KMR 12/17/07	APP. BY: KSR 01/12/10	SHEET 1 OF 1
REF. NO.	PART NO. HF-50-3_Tech_TRI	

NOTES:

- (1) ITEMS SHOWN IN BROKEN LINES TO BE FURNISHED BY OTHERS.
- (2) ALL DIMENSIONS ARE ± 1 INCH (25mm) AND SUBJECT TO CHANGE WITHOUT NOTICE.
- (3) UNIONS SHOULD BE LOCATED ON INLET AND OUTLET CONNECTIONS OF HARNESS TO FACILITATE SERVICING.
- (4) THE USE OF DISSIMILAR METALS IN A PIPING SYSTEM IS NOT RECOMMENDED. WHERE DISSIMILAR METALS MUST BE CONNECTED IN A WATER SYSTEM. THE USE OF NONCONDUCTIVE (DIELECTRIC) FITTINGS MAY REDUCE GALVANIC CORROSION.
- (5) AN ELECTRICAL OUTLET SHOULD BE PROVIDED WITHIN FIVE FEET OF THE EQUIPMENT LOCATION.
- (6) ALLOW A MINIMUM OF 24 INCHES ABOVE SOFTENER FOR FILLING.
- (7) TO PERMIT THE OBSERVATION OF THE DRAIN FLOW DO NOT MAKE A DIRECT CONNECTION TO THE DRAIN. PROVIDE AN AIR GAP OF AT LEAST FOUR TIMES THE DIAMETER OF THE DRAIN PIPE OR CONFORM TO LOCAL SANITATION CODES.
- (8) WHEN USING A WATER METER, THERE MUST BE A MINIMUM AMOUNT OF STRAIGHT PIPE BEFORE AND AFTER THE SENSOR. REFER TO THE INSTALLATION INSTRUCTIONS FOR DETAILS.
- (9) ACCESS OPENINGS SHOWN ON TANK ARE FOR REFERENCE ONLY. QUANTITY, TYPE AND PLACEMENT ARE DEPENDENT ON TANK SIZE.
- (10) BRINE TANK DIMENSIONS SHOWN ARE FOR THE BRINE TANK MOST COMMONLY SELECTED FOR USE WITH THIS SIZE SYSTEM

MODEL	DIMENSIONS (INCHES)														UNIT DATA PER TANK							
	WIDTH A	HEIGHT B	DEPTH C	TANK DIA. D	SIDE-SHELL E	INLET/OUTLET PIPE SIZES F	DRAIN SIZE G	FLOOR TO INLET H	FLOOR TO OUTLET I	BACK TO INLET/OUTLET J	BOLT HOLE CIRCLE K	BRINE TANK DIA. L(10)	BRINE TANK HEIGHT M(10)	INLET/OUTLET OFFSET N	MAX. CAPACITY KGR @ SALT DOSAGE	RESIN VOLUME ft ³	CONTINUOUS FLOW gpm @ psi drop	PEAK FLOW gpm @ psi drop	DRAIN FLOW gpm	MIN. DRAIN PIPE SIZE IN.	TRIPLEX OPER. WT. lbs.	TRIPLEX SHIP. WT. lbs.
HS-1504	299	96	69	54	60	4.0	1.5	78.5	20.0	63.0	51.7	48	60	26	1500 @ 750	50	190 @ 6	320 @ 15	70	2.0	43200	23000
HS-2004	329	99	76	60	60	4.0	1.5	79.5	21.3	69.68	57.63	60	60	26	2000 @ 1005	67	240 @ 7	400 @ 18	90	2.0	54700	28200



DO NOT SCALE DRAWING
TOLERANCES: ±1/8" UNLESS OTHERWISE NOTED

Let.	Change	By	App	Date

Culligan[®]
ENGINEERED SYSTEMS
ROSEMONT, ILLINOIS

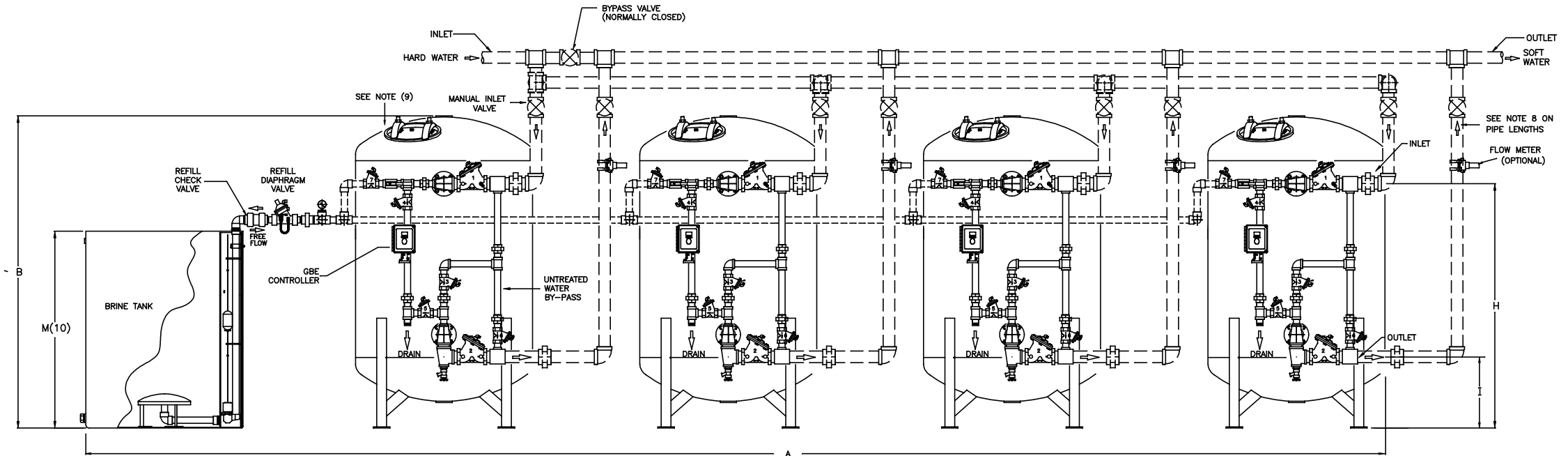
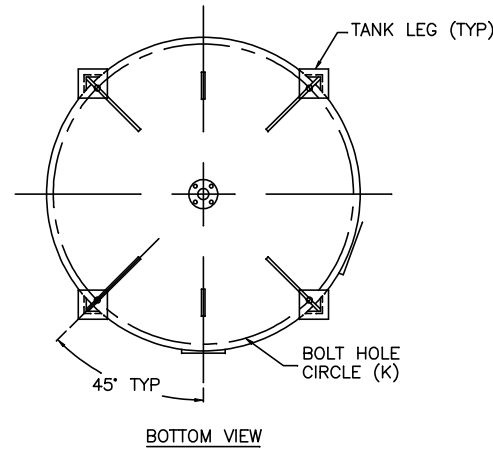
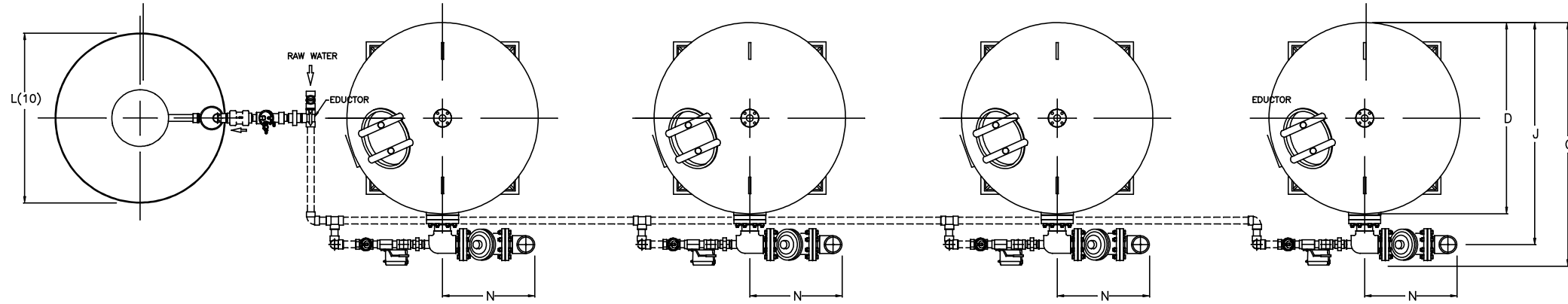
PRINT AND BILL OF MATERIAL ARE NOT TO BE USED WITHOUT THE WRITTEN CONSENT OF CULLIGAN INTERNATIONAL CO.

NAME HI-FLO 50 SOFTENERS MODELS - 1504 & 2004 TECHNICAL DATA SHEET		
DETAILED BY: KMR 12/17/07	APP. BY: KSR 01/12/10	SHEET 1 OF 1
REF. NO.	PART NO. HF-50-4_Tech_TRI	

NOTES:

- (1) ITEMS SHOWN IN BROKEN LINES TO BE FURNISHED BY OTHERS.
- (2) ALL DIMENSIONS ARE ± 1 INCH (25mm) AND SUBJECT TO CHANGE WITHOUT NOTICE.
- (3) UNIONS SHOULD BE LOCATED ON INLET AND OUTLET CONNECTIONS OF HARNESS TO FACILITATE SERVICING.
- (4) THE USE OF DISSIMILAR METALS IN A PIPING SYSTEM IS NOT RECOMMENDED. WHERE DISSIMILAR METALS MUST BE CONNECTED IN A WATER SYSTEM. THE USE OF NONCONDUCTIVE (DIELECTRIC) FITTINGS MAY REDUCE GALVANIC CORROSION.
- (5) AN ELECTRICAL OUTLET SHOULD BE PROVIDED WITHIN FIVE FEET OF THE EQUIPMENT LOCATION.
- (6) ALLOW A MINIMUM OF 24 INCHES ABOVE SOFTENER FOR FILLING.
- (7) TO PERMIT THE OBSERVATION OF THE DRAIN FLOW DO NOT MAKE A DIRECT CONNECTION TO THE DRAIN. PROVIDE AN AIR GAP OF AT LEAST FOUR TIMES THE DIAMETER OF THE DRAIN PIPE OR CONFORM TO LOCAL SANITATION CODES.
- (8) WHEN USING A WATER METER, THERE MUST BE A MINIMUM AMOUNT OF STRAIGHT PIPE BEFORE AND AFTER THE SENSOR. REFER TO THE INSTALLATION INSTRUCTIONS FOR DETAILS.
- (9) ACCESS OPENINGS SHOWN ON TANK ARE FOR REFERENCE ONLY. QUANTITY, TYPE AND PLACEMENT ARE DEPENDENT ON TANK SIZE.
- (10) BRINE TANK DIMENSIONS SHOWN ARE FOR THE BRINE TANK MOST COMMONLY SELECTED FOR USE WITH THIS SIZE SYSTEM

MODEL	DIMENSIONS (INCHES)											UNIT DATA PER TANK										
	WIDTH A	HEIGHT B	DEPTH C	TANK DIA. D	SIDE-SHELL E	INLET/OUTLET PIPE SIZES F	DRAIN SIZE G	FLOOR TO INLET H	FLOOR TO OUTLET I	BACK TO INLET/OUTLET J	BOLT HOLE CIRCLE K	BRINE TANK DIA. L(10)	BRINE TANK HEIGHT M(10)	INLET/OUTLET OFFSET N	MAX. CAPACITY KGR @ SALT DOSAGE	RESIN VOLUME ft ³	CONTINUOUS FLOW gpm @ psi drop	PEAK FLOW gpm @ psi drop	DRAIN FLOW gpm	MIN. DRAIN PIPE SIZE IN.	TRIPLEX OPER. WT. lbs.	TRIPLEX SHIP. WT. lbs.
HS-1203	357	93	60.5	48	60	3.0	1.5	73.25	20.6	55.0	45.7	48	60	18.75	1200 @ 600	40	150 @ 8	230 @ 15	60	2.0	44000	23200
HS-1503	381	96	66.5	54	60	3.0	1.5	78.5	21.7	61.0	51.7	48	60	18.75	1500 @ 750	50	160 @ 7	230 @ 14	70	2.0	54400	29600



DO NOT SCALE DRAWING TOLERANCES: ±1/8" UNLESS OTHERWISE NOTED				
Let.	Change	By	App	Date

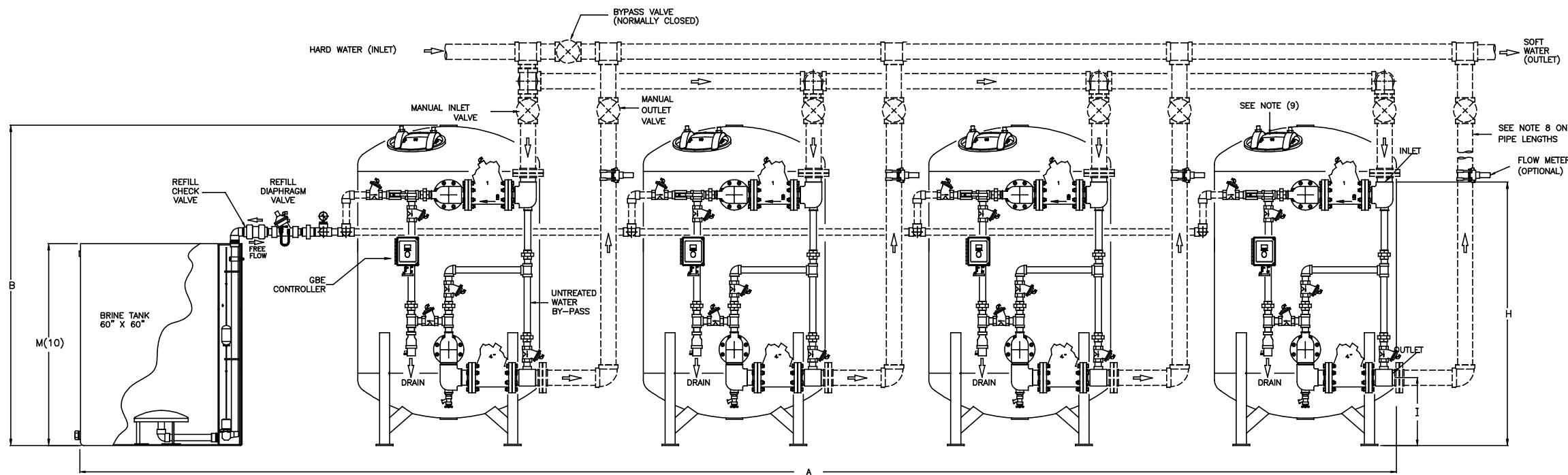
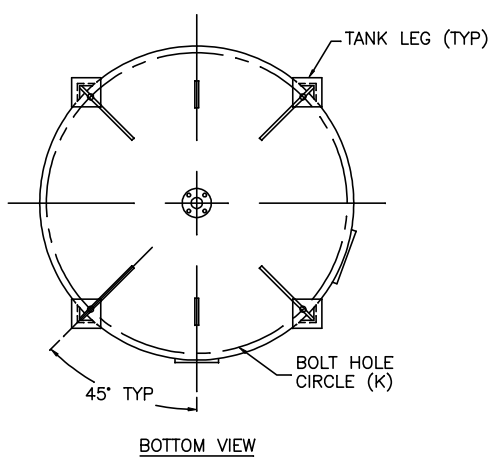
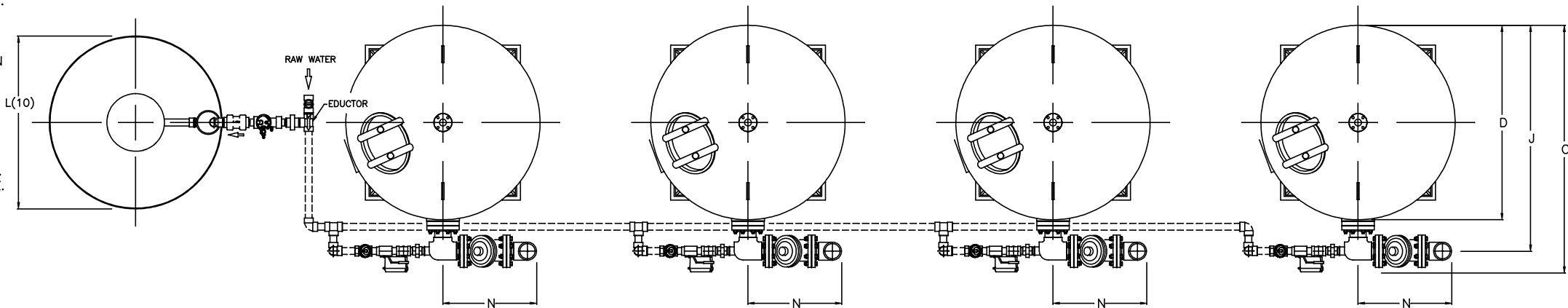
Culligan®
ENGINEERED SYSTEMS
 ROSEMONT, ILLINOIS
 PRINT AND BILL OF MATERIAL ARE NOT TO BE USED WITHOUT THE WRITTEN CONSENT OF CULLIGAN INTERNATIONAL CO.

NAME HI-FLO 50 SOFTENERS MODELS - 1203 & 1503 TECHNICAL DATA SHEET		
DETAILED BY: KMR 12/17/07	APP. BY: KSR 01/12/10	SHEET 1 OF 1
REF. NO.	PART NO. HF-50-3_Tech_QUAD	

NOTES:

- (1) ITEMS SHOWN IN BROKEN LINES TO BE FURNISHED BY OTHERS.
- (2) ALL DIMENSIONS ARE ± 1 INCH (25mm) AND SUBJECT TO CHANGE WITHOUT NOTICE.
- (3) UNIONS SHOULD BE LOCATED ON INLET AND OUTLET CONNECTIONS OF HARNESS TO FACILITATE SERVICING.
- (4) THE USE OF DISSIMILAR METALS IN A PIPING SYSTEM IS NOT RECOMMENDED. WHERE DISSIMILAR METALS MUST BE CONNECTED IN A WATER SYSTEM, THE USE OF NONCONDUCTIVE (DIELECTRIC) FITTINGS MAY REDUCE GALVANIC CORROSION.
- (5) AN ELECTRICAL OUTLET SHOULD BE PROVIDED WITHIN FIVE FEET OF THE EQUIPMENT LOCATION.
- (6) ALLOW A MINIMUM OF 24 INCHES ABOVE SOFTENER FOR FILLING.
- (7) TO PERMIT THE OBSERVATION OF THE DRAIN FLOW DO NOT MAKE A DIRECT CONNECTION TO THE DRAIN. PROVIDE AN AIR GAP OF AT LEAST FOUR TIMES THE DIAMETER OF THE DRAIN PIPE OR CONFORM TO LOCAL SANITATION CODES.
- (8) WHEN USING A WATER METER, THERE MUST BE A MINIMUM AMOUNT OF STRAIGHT PIPE BEFORE AND AFTER THE SENSOR. REFER TO THE INSTALLATION INSTRUCTIONS FOR DETAILS.
- (9) ACCESS OPENINGS SHOWN ON TANK ARE FOR REFERENCE ONLY. QUANTITY, TYPE AND PLACEMENT ARE DEPENDENT ON TANK SIZE.
- (10) BRINE TANK DIMENSIONS SHOWN ARE FOR THE BRINE TANK MOST COMMONLY SELECTED FOR USE WITH THIS SIZE SYSTEM

MODEL	DIMENSIONS (INCHES)														UNIT DATA PER TANK							
	WIDTH A	HEIGHT B	DEPTH C	TANK DIA. D	SIDE-SHELL E	INLET/OUTLET PIPE SIZES F	DRAIN SIZE G	FLOOR TO INLET H	FLOOR TO OUTLET I	BACK TO INLET/OUTLET J	BOLT HOLE CIRCLE K	BRINE TANK DIA. L(10)	BRINE TANK HEIGHT M(10)	INLET/OUTLET OFFSET N	MAX. CAPACITY KGR @ SALT DOSAGE	RESIN VOLUME ft ³	CONTINUOUS FLOW gpm @ psi drop	PEAK FLOW gpm @ psi drop	DRAIN FLOW gpm	MIN. DRAIN PIPE SIZE IN.	TRIPLEX OPER. WT. lbs.	TRIPLEX SHIP. WT. lbs.
HS-1504	381	96	69	54	60	4.0	1.5	78.5	20.0	63.0	51.7	48	60	26	1500 @ 750	50	190 @ 6	320 @ 15	70	2.0	56900	31200
HS-2004	417	99	76	60	60	4.0	1.5	79.5	21.3	69.68	57.63	60	60	26	2000 @ 1005	67	240 @ 7	400 @ 18	90	2.0	71600	38400



DO NOT SCALE DRAWING
TOLERANCES: ±1/8" UNLESS OTHERWISE NOTED

Let.	Change	By	App	Date

Culligan®
ENGINEERED SYSTEMS
ROSEMONT, ILLINOIS

PRINT AND BILL OF MATERIAL ARE NOT TO BE USED WITHOUT THE WRITTEN CONSENT OF CULLIGAN INTERNATIONAL CO.

NAME HI-FLO 50 SOFTENERS MODELS - 1504 & 2004 TECHNICAL DATA SHEET		
DETAILED BY: KMR 12/17/07	APP. BY: KSR 01/12/10	SHEET 1 OF 1
REF. NO.	PART NO. HF-50-4_Tech_QUAD	