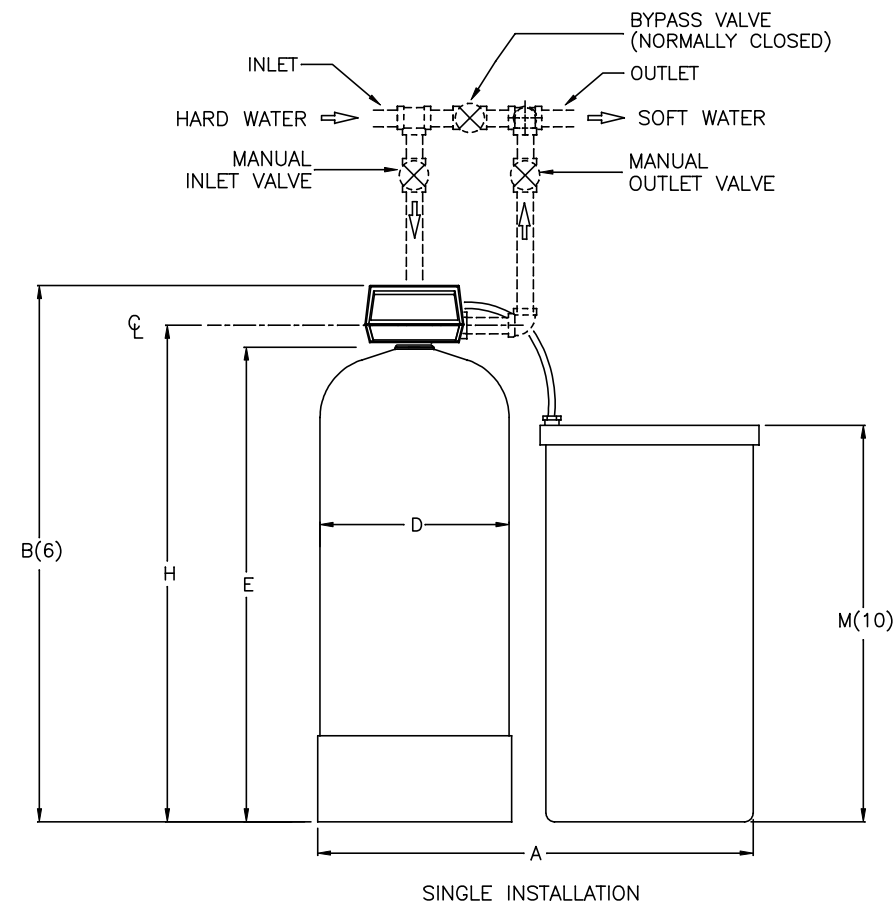
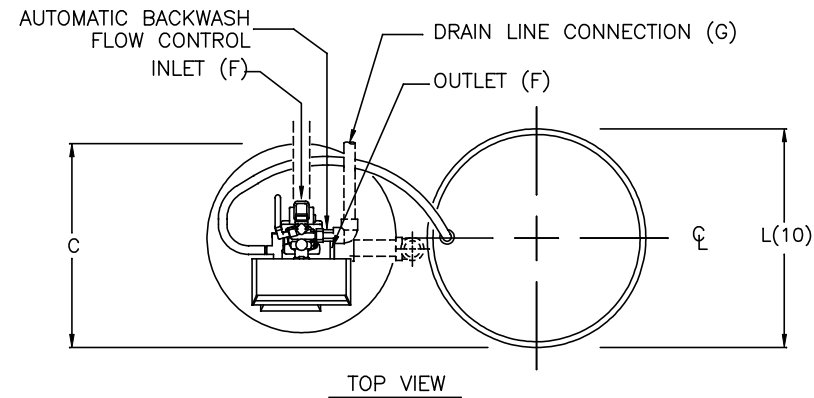


NOTES:

- (1) ITEMS SHOWN IN BROKEN LINES TO BE FURNISHED BY OTHERS.
- (2) ALL DIMENSIONS ARE ± 1 INCH (25mm) AND SUBJECT TO CHANGE WITHOUT NOTICE.
- (3) UNIONS SHOULD BE LOCATED ON INLET AND OUTLET CONNECTIONS OF CONTROL VALVE TO FACILITATE SERVICING.
- (4) THE USE OF DISSIMILAR METALS IN A PIPING SYSTEM IS NOT RECOMMENDED. WHERE DISSIMILAR METALS MUST BE CONNECTED IN A WATER SYSTEM. THE USE OF NONCONDUCTIVE (DIELECTRIC) FITTINGS MAY REDUCE GALVANIC CORROSION.
- (5) AN ELECTRICAL OUTLET SHOULD BE PROVIDED WITHIN FIVE FEET OF THE EQUIPMENT LOCATION.
- (6) ALLOW A MINIMUM OF 24 INCHES ABOVE SOFTENER FOR FILLING.
- (7) TO PERMIT THE OBSERVATION OF THE DRAIN FLOW DO NOT MAKE A DIRECT CONNECTION TO THE DRAIN. PROVIDE AN AIR GAP OF AT LEAST FOUR TIMES THE DIAMETER OF THE DRAIN PIPE OR CONFORM TO LOCAL SANITATION CODES.
- (8) WHEN USING A WATER METER, THERE MUST BE A MINIMUM AMOUNT OF STRAIGHT PIPE BEFORE AND AFTER THE SENSOR. REFER TO THE INSTALLATION INSTRUCTIONS FOR DETAILS.
- (9) SYSTEM USES FRP TANKS WHICH MUST NOT BE SUBJECTED TO VACUUM. INSTALL SIPHON BREAK ON DRAIN LINE. INSTALL VACUUM BREAKER ON INLET PIPING IF THE SERVICE LINE IS SUBJECT TO A VACCUM.
- (10) BRINE TANK DIMENSIONS SHOWN ARE FOR THE BRINE TANK MOST COMMONLY SELECTED FOR USE WITH THIS SIZE SYSTEM.

MODEL	DIMENSIONS (INCHES)										UNIT DATA PER TANK							
	WIDTH A	HEIGHT B(6)	DEPTH C	TANK DIA. D	TANK HEIGHT E	INLET/OUTLET PIPE SIZES F	DRAIN SIZE G	FLOOR TO INLET H	BRINE TANK DIA. L(10)	BRINE TANK HEIGHT M(10)	MAX. CAPACITY KGR @ SALT DOSAGE	RESIN VOLUME ft ³	CONTINUOUS FLOW gpm @ 15 psi drop	PEAK FLOW gpm @ 25 psi drop	DRAIN FLOW gpm	MIN. DRAIN PIPE SIZE IN.	SIMPLEX OPER. WT. lbs.	SIMPLEX SHIP. WT. lbs.
HC-60-1.5	37	59	19	12	52	1.5	1.0	55	18	38	60 @ 30	2	22	29	3.5	0.75	800	255
HC-90-1.5	45	72	24	14	65	1.5	1.0	68	24	40	90 @ 45	3	29	37	5	0.75	1255	345
HC-120-1.5	47	72	24	16	65	1.5	1.0	68	24	40	120 @ 60	4	29	37	8	1.0	1405	440
HC-150-1.5	50	73	24	18	65	1.5	1.0	69	24	50	150 @ 75	5	40	55	8	1.0	1585	530



DO NOT SCALE DRAWING
TOLERANCES: $\pm 1/8$ " UNLESS OTHERWISE NOTED

Let.	Change	By	App	Date

Culligan®
ENGINEERED SYSTEMS
ROSEMONT, ILLINOIS

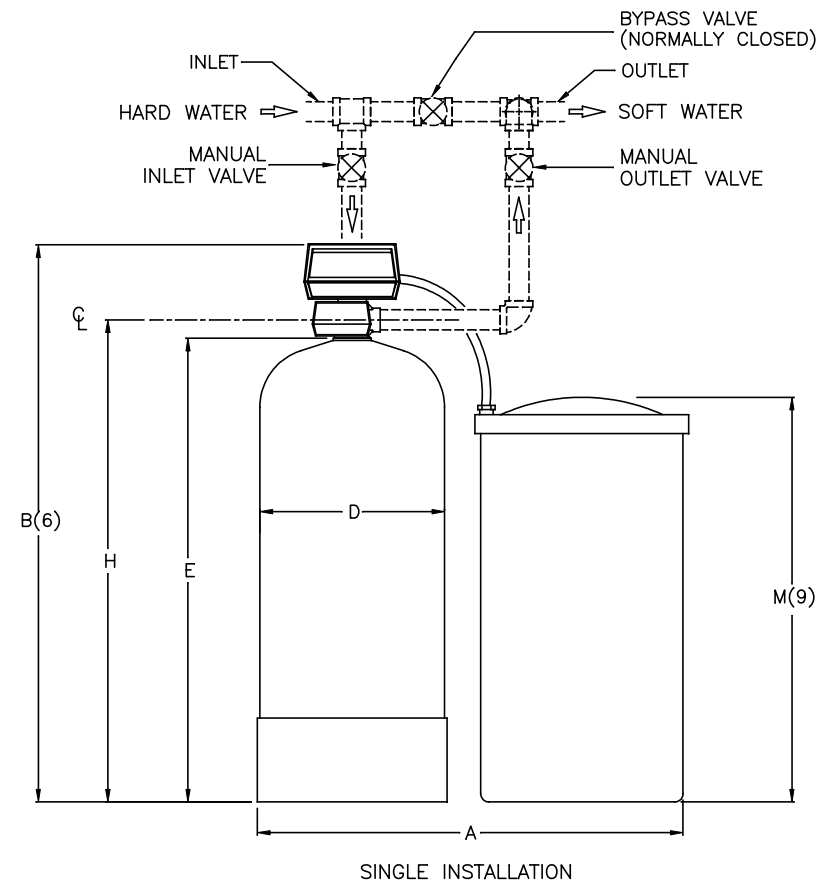
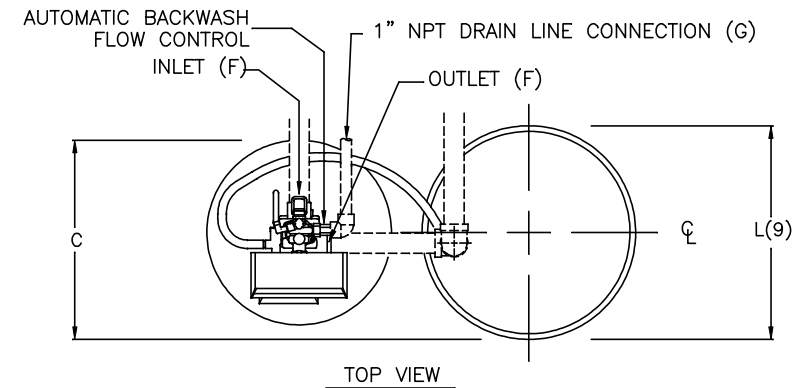
PRINT AND BILL OF MATERIAL ARE NOT TO BE USED WITHOUT THE WRITTEN CONSENT OF CULLIGAN INTERNATIONAL CO.

NAME HI-FLO® 3 AUTOMATIC SOFTENER SINGLE TECHNICAL DATA SHEET		
DETAILED BY: KMR 5/03/05	APP. BY: KSR 01/11/10	SHEET 1 OF 1
REF. NO.	PART NO. S3_2850_1	

NOTES:

- (1) ITEMS SHOWN IN BROKEN LINES TO BE FURNISHED BY OTHERS.
- (2) ALL DIMENSIONS ARE ± 1 INCH (25mm) AND SUBJECT TO CHANGE WITHOUT NOTICE.
- (3) UNIONS SHOULD BE LOCATED ON INLET AND OUTLET CONNECTIONS OF CONTROL VALVE TO FACILITATE SERVICING.
- (4) THE USE OF DISSIMILAR METALS IN A PIPING SYSTEM IS NOT RECOMMENDED. WHERE DISSIMILAR METALS MUST BE CONNECTED IN A WATER SYSTEM, THE USE OF NONCONDUCTIVE (DIELECTRIC) FITTINGS MAY REDUCE GALVANIC CORROSION.
- (5) AN ELECTRICAL OUTLET SHOULD BE PROVIDED WITHIN FIVE FEET OF THE EQUIPMENT LOCATION.
- (6) ALLOW A MINIMUM OF 24 INCHES ABOVE SOFTENER FOR FILLING.
- (7) TO PERMIT THE OBSERVATION OF THE DRAIN FLOW DO NOT MAKE A DIRECT CONNECTION TO THE DRAIN. PROVIDE AN AIR GAP OF AT LEAST FOUR TIMES THE DIAMETER OF THE DRAIN PIPE OR CONFORM TO LOCAL SANITATION CODES.
- (8) SYSTEM USES FRP TANKS WHICH MUST NOT BE SUBJECTED TO VACUUM. INSTALL SIPHON BREAK ON DRAIN LINE. INSTALL VACUUM BREAKER ON INLET PIPING IF THE SERVICE LINE IS SUBJECT TO A VACCUM.
- (9) BRINE TANK DIMENSIONS SHOWN ARE FOR THE BRINE TANK MOST COMMONLY SELECTED FOR USE WITH THIS SIZE SYSTEM.

MODEL	DIMENSIONS (INCHES)									UNIT DATA PER TANK								
	WIDTH A	HEIGHT B(6)	DEPTH C	TANK DIA. D	TANK HEIGHT E	INLET/OUTLET PIPE SIZES F	DRAIN SIZE G	FLOOR TO INLET H	BRINE TANK DIA. L(9)	BRINE TANK HEIGHT M(9)	MAX. CAPACITY KGR @ SALT DOSAGE	RESIN VOLUME ft ³	CONTINUOUS FLOW gpm @ 15 psi drop	PEAK FLOW gpm @ 25 psi drop	DRAIN FLOW gpm	MIN. DRAIN PIPE SIZE IN.	SIMPLEX OPER. WT. lbs.	SIMPLEX SHIP. WT. lbs.
HC-120	46	78	20	16	65.2	2.0	1.0	67.4	24	50	120 @ 60	4	45	60	8	1.0	1630	465
HC-150	48	79	21	18	66.3	2.0	1.0	68.5	24	50	150 @ 75	5	60	78	8	1.0	1810	555
HC-210	51	80	22.5	21	67.1	2.0	1.0	69.3	24	50	210 @ 105	7	58	76	8	1.0	1970	680
HC-300	60	87	27	24	74.7	2.0	1.0	76.9	30	50	300 @ 150	10	65	85	15	1.25	2775	935
HC-450	66	92	30	30	78.9	2.0	1.0	81.1	30	50	450 @ 225	15	75	100	25	1.5	3580	1420



DO NOT SCALE DRAWING TOLERANCES: ±1/8" UNLESS OTHERWISE NOTED				
Let.	Change	By	App	Date

Culligan®
ENGINEERED SYSTEMS
 ROSEMONT, ILLINOIS

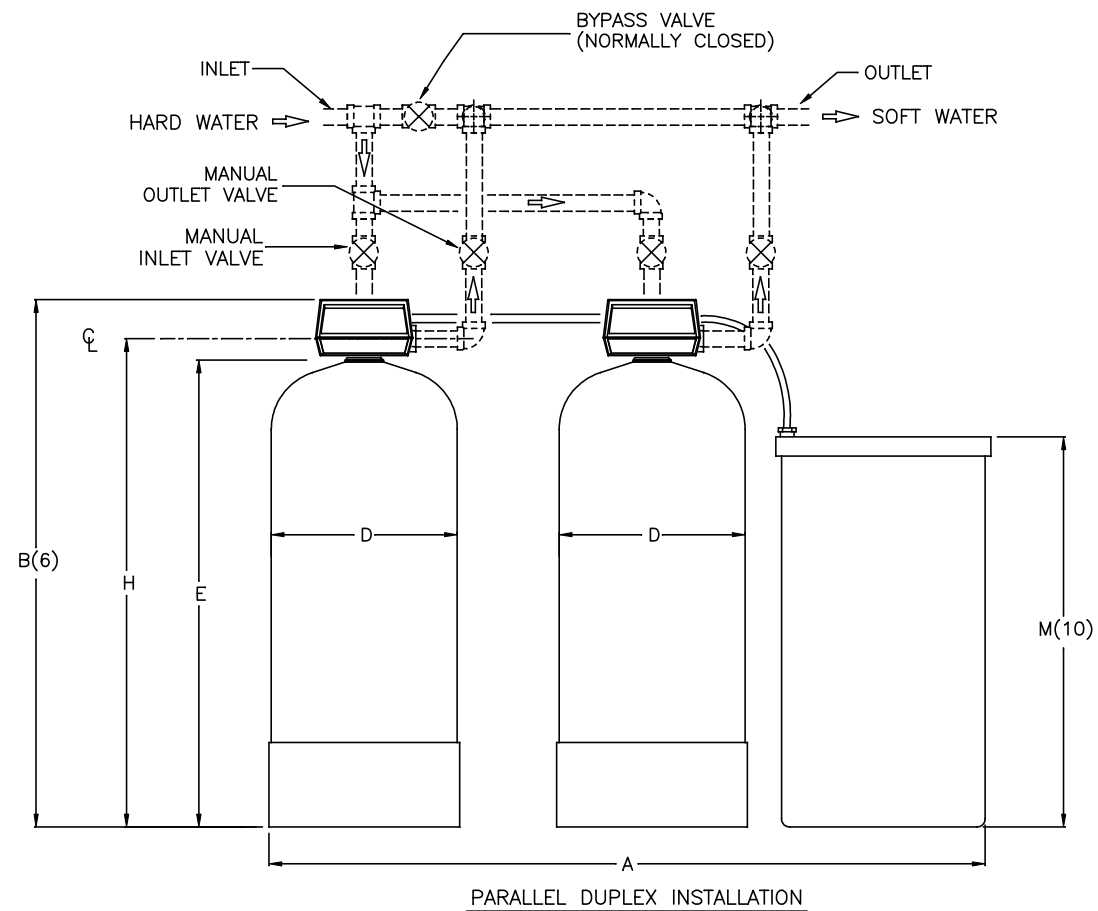
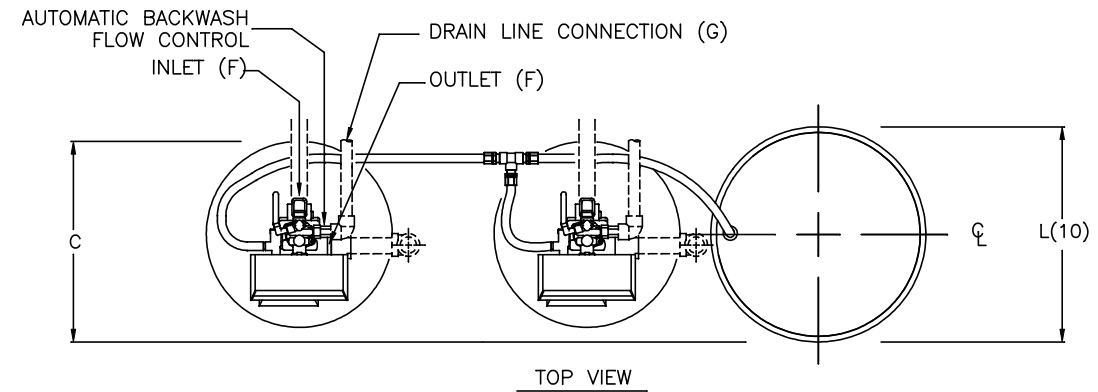
PRINT AND BILL OF MATERIAL ARE NOT TO BE USED WITHOUT THE WRITTEN CONSENT OF CULLIGAN INTERNATIONAL CO.

NAME HI-FLO® 3 AUTOMATIC SOFTENER SINGLE TECHNICAL DATA SHEET		
DETAILED BY: KMR 5/03/05	APP. BY:	SHEET 1 OF 1
REF. NO.	PART NO. S3_1	

NOTES:

- (1) ITEMS SHOWN IN BROKEN LINES TO BE FURNISHED BY OTHERS.
- (2) ALL DIMENSIONS ARE ± 1 INCH (25mm) AND SUBJECT TO CHANGE WITHOUT NOTICE.
- (3) UNIONS SHOULD BE LOCATED ON INLET AND OUTLET CONNECTIONS OF CONTROL VALVE TO FACILITATE SERVICING.
- (4) THE USE OF DISSIMILAR METALS IN A PIPING SYSTEM IS NOT RECOMMENDED. WHERE DISSIMILAR METALS MUST BE CONNECTED IN A WATER SYSTEM. THE USE OF NONCONDUCTIVE (DIELECTRIC) FITTINGS MAY REDUCE GALVANIC CORROSION.
- (5) AN ELECTRICAL OUTLET SHOULD BE PROVIDED WITHIN FIVE FEET OF THE EQUIPMENT LOCATION.
- (6) ALLOW A MINIMUM OF 24 INCHES ABOVE SOFTENER FOR FILLING.
- (7) TO PERMIT THE OBSERVATION OF THE DRAIN FLOW DO NOT MAKE A DIRECT CONNECTION TO THE DRAIN. PROVIDE AN AIR GAP OF AT LEAST FOUR TIMES THE DIAMETER OF THE DRAIN PIPE OR CONFORM TO LOCAL SANITATION CODES.
- (8) WHEN USING A WATER METER, THERE MUST BE A MINIMUM AMOUNT OF STRAIGHT PIPE BEFORE AND AFTER THE SENSOR. REFER TO THE INSTALLATION INSTRUCTIONS FOR DETAILS.
- (9) SYSTEM USES FRP TANKS WHICH MUST NOT BE SUBJECTED TO VACUUM. INSTALL SIPHON BREAK ON DRAIN LINE. INSTALL VACUUM BREAKER ON INLET PIPING IF THE SERVICE LINE IS SUBJECT TO A VACCUUM.
- (10) BRINE TANK DIMENSIONS SHOWN ARE FOR THE BRINE TANK MOST COMMONLY SELECTED FOR USE WITH THIS SIZE SYSTEM.

MODEL	DIMENSIONS (INCHES)										UNIT DATA PER TANK							
	WIDTH A	HEIGHT B(6)	DEPTH C	TANK DIA. D	TANK HEIGHT E	INLET/OUTLET PIPE SIZES F	DRAIN SIZE G	FLOOR TO INLET H	BRINE TANK DIA. L(10)	BRINE TANK HEIGHT M(10)	MAX. CAPACITY KGR @ SALT DOSAGE	RESIN VOLUME ft ³	CONTINUOUS FLOW gpm @ 15 psi drop	PEAK FLOW gpm @ 25 psi drop	DRAIN FLOW gpm	MIN. DRAIN PIPE SIZE IN.	DUPLEX OPER. WT. lbs.	DUPLEX SHIP. WT. lbs.
HC-60-1.5	58	59	19	12	52	1.5	1.0	55	18	38	60 @ 30	2	22	29	3.5	0.75	1100	488
HC-90-1.5	68	72	24	14	65	1.5	1.0	68	24	40	90 @ 45	3	29	37	5	0.75	1725	655
HC-120-1.5	72	72	24	16	65	1.5	1.0	68	24	40	120 @ 60	4	29	37	8	1.0	1975	845
HC-150-1.5	82	73	24	18	65	1.5	1.0	69	24	40	150 @ 75	5	40	55	8	1.0	2365	1025



DO NOT SCALE DRAWING TOLERANCES: ±1/8" UNLESS OTHERWISE NOTED				
Let.	Change	By	App	Date

Culligan®
ENGINEERED SYSTEMS
ROSEMONT, ILLINOIS

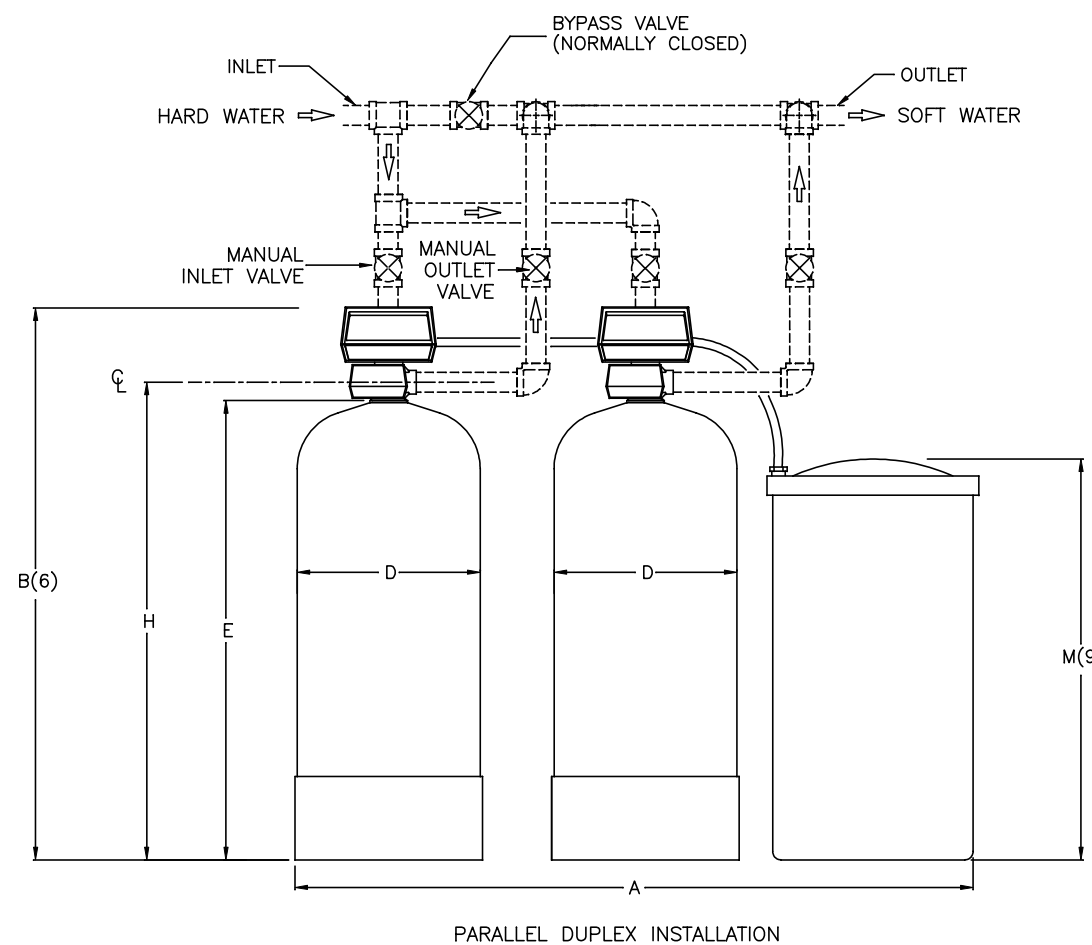
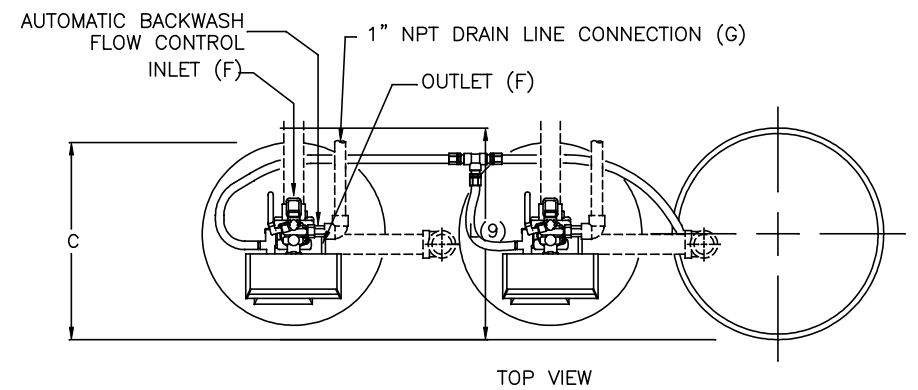
PRINT AND BILL OF MATERIAL ARE NOT TO BE USED WITHOUT THE WRITTEN CONSENT OF CULLIGAN INTERNATIONAL CO.

NAME HI-FLO® 3 AUTOMATIC SOFTENER DUPLEX TECHNICAL DATA SHEET		
DETAILED BY: KMR 5/03/05	APP. BY: KSR 01/11/10	SHEET 1 OF 1
REF. NO.	PART NO. S3_2850_2	

NOTES:

- (1) ITEMS SHOWN IN BROKEN LINES TO BE FURNISHED BY OTHERS.
- (2) ALL DIMENSIONS ARE ± 1 INCH (25mm) AND SUBJECT TO CHANGE WITHOUT NOTICE.
- (3) UNIONS SHOULD BE LOCATED ON INLET AND OUTLET CONNECTIONS OF CONTROL VALVE TO FACILITATE SERVICING.
- (4) THE USE OF DISSIMILAR METALS IN A PIPING SYSTEM IS NOT RECOMMENDED. WHERE DISSIMILAR METALS MUST BE CONNECTED IN A WATER SYSTEM. THE USE OF NONCONDUCTIVE (DIELECTRIC) FITTINGS MAY REDUCE GALVANIC CORROSION.
- (5) AN ELECTRICAL OUTLET SHOULD BE PROVIDED WITHIN FIVE FEET OF THE EQUIPMENT LOCATION.
- (6) ALLOW A MINIMUM OF 24 INCHES ABOVE SOFTENER FOR FILLING.
- (7) TO PERMIT THE OBSERVATION OF THE DRAIN FLOW DO NOT MAKE A DIRECT CONNECTION TO THE DRAIN. PROVIDE AN AIR GAP OF AT LEAST FOUR TIMES THE DIAMETER OF THE DRAIN PIPE OR CONFORM TO LOCAL SANITATION CODES.
- (8) SYSTEM USES FRP TANKS WHICH MUST NOT BE SUBJECTED TO VACUUM. INSTALL SIPHON BREAK ON DRAIN LINE. INSTALL VACUUM BREAKER ON INLET PIPING IF THE SERVICE LINE IS SUBJECT TO A VACCUM.
- (9) BRINE TANK DIMENSIONS SHOWN ARE FOR THE BRINE TANK MOST COMMONLY SELECTED FOR USE WITH THIS SIZE SYSTEM.

MODEL	DIMENSIONS (INCHES)										UNIT DATA PER TANK				DRAIN FLOW gpm	MIN. DRAIN PIPE SIZE IN.	DUPLEX OPER. WT. lbs.	DUPLEX SHIP. WT. lbs.
	WIDTH A	HEIGHT B(6)	DEPTH C	TANK SIZE D	TANK HEIGHT E	INLET/OUTLET PIPE SIZES F	DRAIN SIZE G	FLOOR TO INLET H	BRINE TANK DIA. L(9)	BRINE TANK HEIGHT M(9)	MAX. CAPACITY KGR @ SALT DOSAGE	RESIN VOLUME ft ³	CONTINUOUS FLOW gpm @ 15 psi drop	PEAK FLOW gpm @ 25 psi drop				
HC-120	72	78	20	16 X 65	65.2	2.0	1.0	67.4	24	50	120 @ 60	4	45	60	8	1.0	2210	880
HC-150	76	79	21	18 X 65	66.3	2.0	1.0	68.5	24	50	150 @ 75	5	60	78	8	1.0	2600	1060
HC-210	82	80	22.5	21 X 62	67.1	2.0	1.0	69.3	24	50	210 @ 105	7	58	76	8	1.0	2950	1310
HC-300	94	87	27	24 X 72	74.7	2.0	1.0	76.9	30	50	300 @ 150	10	65	85	15	1.25	4080	1800
HC-450	106	92	30	30 X 72	78.9	2.0	1.0	81.1	30	50	450 @ 225	15	75	100	25	1.5	5590	2770



DO NOT SCALE DRAWING
TOLERANCES: ±1/8" UNLESS OTHERWISE NOTED

Let.	Change	By	App	Date

Culligan®
ENGINEERED SYSTEMS
ROSEMONT, ILLINOIS

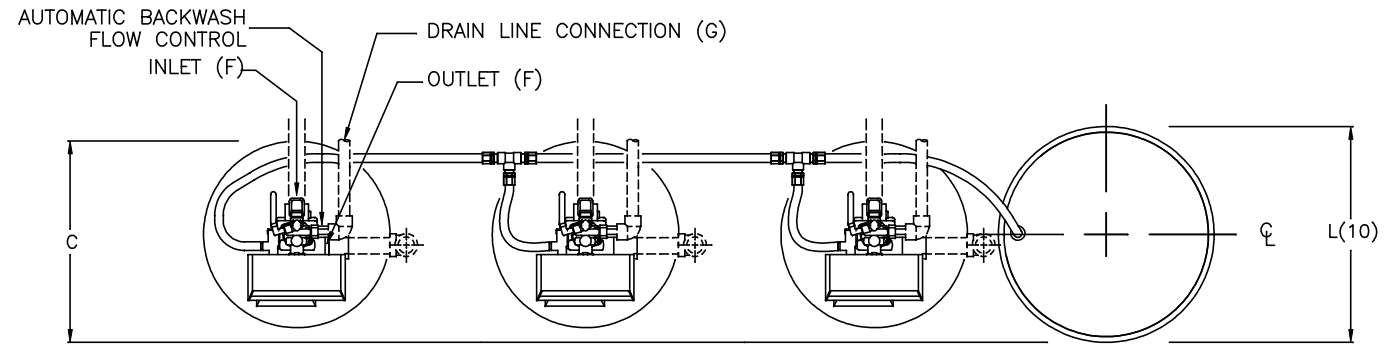
PRINT AND BILL OF MATERIAL ARE NOT TO BE USED WITHOUT THE WRITTEN CONSENT OF CULLIGAN INTERNATIONAL CO.

NAME HI-FLO® 3 AUTOMATIC SOFTENER DUPLEX TECHNICAL DATA SHEET		
DETAILED BY: KMR 5/03/05	APP. BY: KSR 01/11/10	SHEET 1 OF 1
REF. NO.	PART NO. S3_2	

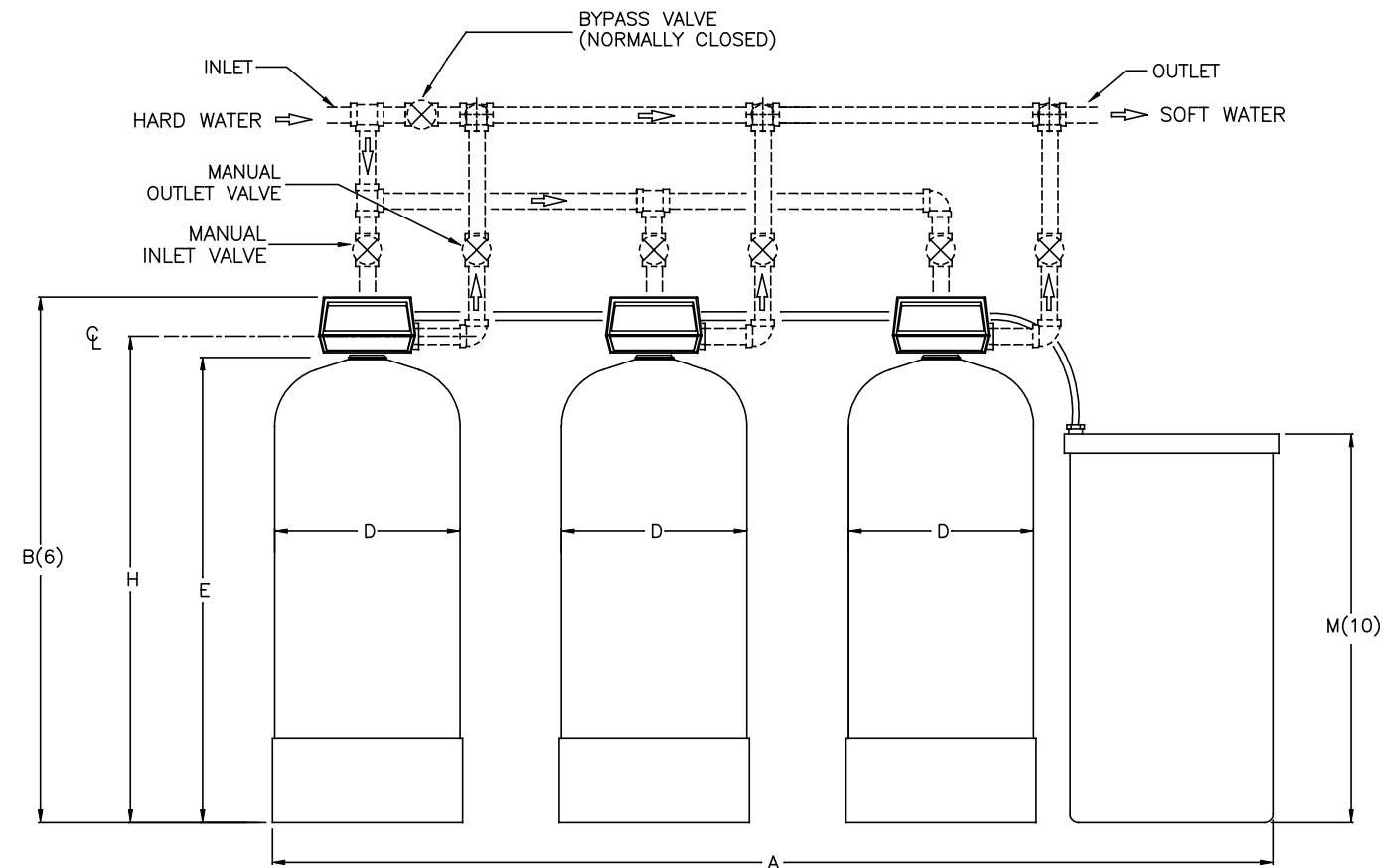
NOTES:

- (1) ITEMS SHOWN IN BROKEN LINES TO BE FURNISHED BY OTHERS.
- (2) ALL DIMENSIONS ARE ± 1 INCH (25mm) AND SUBJECT TO CHANGE WITHOUT NOTICE.
- (3) UNIONS SHOULD BE LOCATED ON INLET AND OUTLET CONNECTIONS OF CONTROL VALVE TO FACILITATE SERVICING.
- (4) THE USE OF DISSIMILAR METALS IN A PIPING SYSTEM IS NOT RECOMMENDED. WHERE DISSIMILAR METALS MUST BE CONNECTED IN A WATER SYSTEM. THE USE OF NONCONDUCTIVE (DIELECTRIC) FITTINGS MAY REDUCE GALVANIC CORROSION.
- (5) AN ELECTRICAL OUTLET SHOULD BE PROVIDED WITHIN FIVE FEET OF THE EQUIPMENT LOCATION.
- (6) ALLOW A MINIMUM OF 24 INCHES ABOVE SOFTENER FOR FILLING.
- (7) TO PERMIT THE OBSERVATION OF THE DRAIN FLOW DO NOT MAKE A DIRECT CONNECTION TO THE DRAIN. PROVIDE AN AIR GAP OF AT LEAST FOUR TIMES THE DIAMETER OF THE DRAIN PIPE OR CONFORM TO LOCAL SANITATION CODES.
- (8) WHEN USING A WATER METER, THERE MUST BE A MINIMUM AMOUNT OF STRAIGHT PIPE BEFORE AND AFTER THE SENSOR. REFER TO THE INSTALLATION INSTRUCTIONS FOR DETAILS.
- (9) SYSTEM USES FRP TANKS WHICH MUST NOT BE SUBJECTED TO VACUUM. INSTALL SIPHON BREAK ON DRAIN LINE. INSTALL VACUUM BREAKER ON INLET PIPING IF THE SERVICE LINE IS SUBJECT TO A VACUUM.
- (10) BRINE TANK DIMENSIONS SHOWN ARE FOR THE BRINE TANK MOST COMMONLY SELECTED FOR USE WITH THIS SIZE SYSTEM.

MODEL	DIMENSIONS (INCHES)										UNIT DATA PER TANK					DRAIN FLOW gpm	MIN. DRAIN PIPE SIZE IN.	TRIPLEX OPER. WT. lbs.	TRIPLEX SHIP. WT. lbs.
	WIDTH A	HEIGHT B(6)	DEPTH C	TANK DIA. D	TANK HEIGHT E	INLET/OUTLET PIPE SIZES F	DRAIN SIZE G	FLOOR TO INLET H	BRINE TANK DIA. L(10)	BRINE TANK HEIGHT M(10)	MAX. CAPACITY KGR @ SALT DOSAGE	RESIN VOLUME ft ³	CONTINUOUS FLOW gpm @ 15 psi drop	PEAK FLOW gpm @ 25 psi drop					
HC-60-1.5	79	59	19	12	52	1.5	1.0	55	18	38	60 @ 30	2	22	29	3.5	0.75	1400	721	
HC-90-1.5	91	72	24	14	65	1.5	1.0	68	24	40	90 @ 45	3	29	37	5	0.75	2195	965	
HC-120-1.5	97	72	24	16	65	1.5	1.0	68	24	40	120 @ 60	4	29	37	8	1.0	2545	1250	
HC-150-1.5	114	73	24	18	65	1.5	1.0	69	24	40	150 @ 75	5	40	55	8	1.0	3145	1520	



TOP VIEW



PARALLEL TRIPLEX INSTALLATION

DO NOT SCALE DRAWING TOLERANCES: ±1/8" UNLESS OTHERWISE NOTED				
Let.	Change	By	App	Date

Culligan®
ENGINEERED SYSTEMS
 ROSEMONT, ILLINOIS

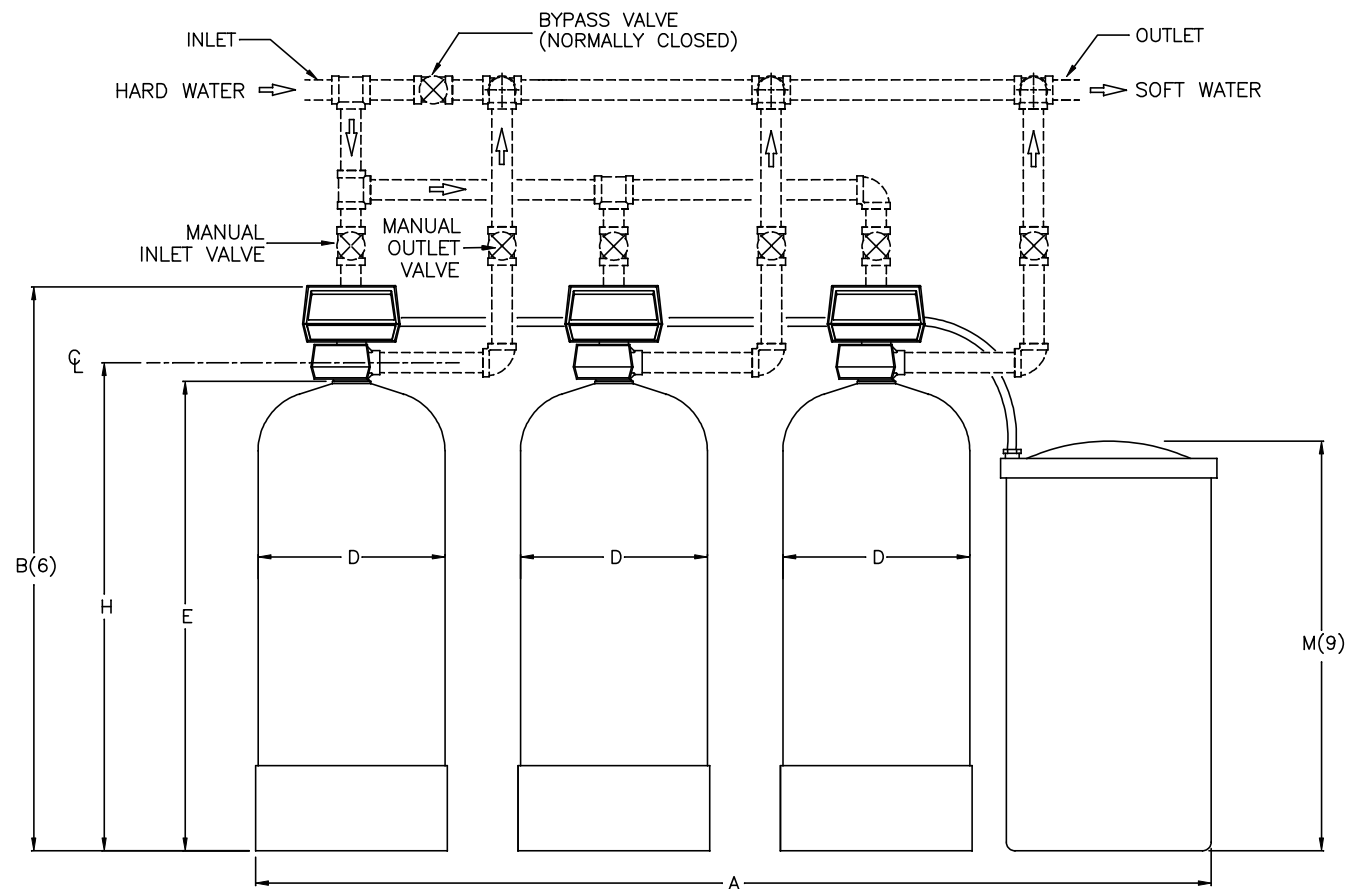
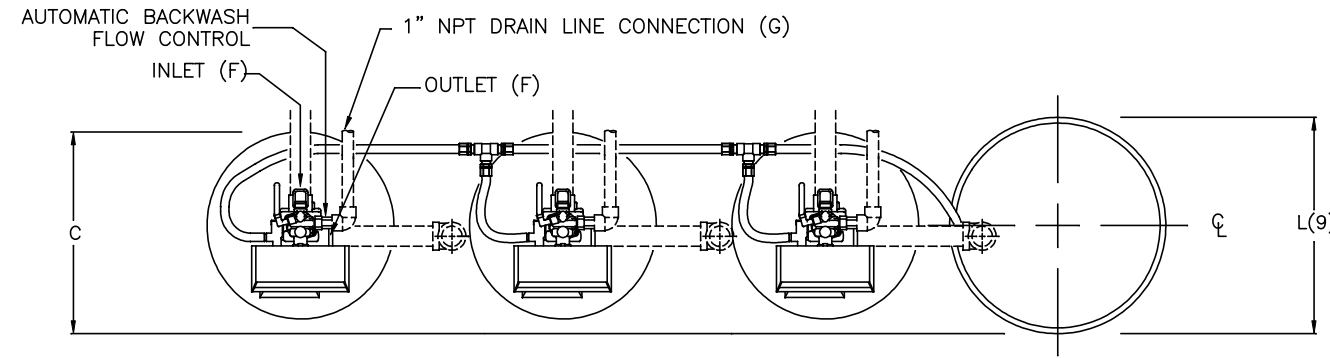
PRINT AND BILL OF MATERIAL ARE NOT TO BE USED WITHOUT THE WRITTEN CONSENT OF CULLIGAN INTERNATIONAL CO.

NAME HI-FLO® 3 AUTOMATIC SOFTENER TRIPLEX TECHNICAL DATA SHEET		
DETAILED BY: KMR 5/03/05	APP. BY: KSR 01/11/10	SHEET 1 OF 1
REF. NO.	PART NO. S3_2850_2	

NOTES:

- (1) ITEMS SHOWN IN BROKEN LINES TO BE FURNISHED BY OTHERS.
- (2) ALL DIMENSIONS ARE ± 1 INCH (25mm) AND SUBJECT TO CHANGE WITHOUT NOTICE.
- (3) UNIONS SHOULD BE LOCATED ON INLET AND OUTLET CONNECTIONS OF CONTROL VALVE TO FACILITATE SERVICING.
- (4) THE USE OF DISSIMILAR METALS IN A PIPING SYSTEM IS NOT RECOMMENDED. WHERE DISSIMILAR METALS MUST BE CONNECTED IN A WATER SYSTEM, THE USE OF NONCONDUCTIVE (DIELECTRIC) FITTINGS MAY REDUCE GALVANIC CORROSION.
- (5) AN ELECTRICAL OUTLET SHOULD BE PROVIDED WITHIN FIVE FEET OF THE EQUIPMENT LOCATION.
- (6) ALLOW A MINIMUM OF 24 INCHES ABOVE SOFTENER FOR FILLING.
- (7) TO PERMIT THE OBSERVATION OF THE DRAIN FLOW DO NOT MAKE A DIRECT CONNECTION TO THE DRAIN. PROVIDE AN AIR GAP OF AT LEAST FOUR TIMES THE DIAMETER OF THE DRAIN PIPE OR CONFORM TO LOCAL SANITATION CODES.
- (8) SYSTEM USES FRP TANKS WHICH MUST NOT BE SUBJECTED TO VACUUM. INSTALL SIPHON BREAK ON DRAIN LINE. INSTALL VACUUM BREAKER ON INLET PIPING IF THE SERVICE LINE IS SUBJECT TO A VACCUM.
- (9) BRINE TANK DIMENSIONS SHOWN ARE FOR THE BRINE TANK MOST COMMONLY SELECTED FOR USE WITH THIS SIZE SYSTEM.

MODEL	DIMENSIONS (INCHES)										UNIT DATA PER TANK							
	WIDTH A	HEIGHT B(6)	DEPTH C	TANK DIA. D	TANK HEIGHT E	INLET/OUTLET PIPE SIZES F	DRAIN SIZE G	FLOOR TO INLET H	BRINE TANK DIA. L(9)	BRINE TANK HEIGHT M(9)	MAX. CAPACITY KGR @ SALT DOSAGE	RESIN VOLUME ft ³	CONTINUOUS FLOW gpm @ 15 psi drop	PEAK FLOW gpm @ 25 psi drop	DRAIN FLOW gpm	MIN. DRAIN PIPE SIZE IN.	TRIPLEX OPER. WT. lbs.	TRIPLEX SHIP. WT. lbs.
HC-120	98	78	20	16	65.2	2.0	1.0	67.4	24	50	120 @ 60	4	45	60	8	1.0	2790	1295
HC-150	104	79	21	18	66.3	2.0	1.0	68.5	24	50	150 @ 75	5	60	78	8	1.0	3390	1565
HC-210	113	80	22.5	21	67.1	2.0	1.0	69.3	24	50	210 @ 105	7	58	76	8	1.0	3930	1940
HC-300	128	87	27	24	74.7	2.0	1.0	76.9	30	50	300 @ 150	10	65	85	15	1.25	5385	2665
HC-450	146	92	30	30	78.9	2.0	1.0	81.1	30	50	450 @ 225	15	75	100	25	1.5	7600	4120



PARALLEL AND ALTERNATING TRIPLEX INSTALLATION

DO NOT SCALE DRAWING TOLERANCES: ±1/8" UNLESS OTHERWISE NOTED					ENGINEERED SYSTEMS ROSEMONT, ILLINOIS PRINT AND BILL OF MATERIAL ARE NOT TO BE USED WITHOUT THE WRITTEN CONSENT OF CULLIGAN INTERNATIONAL CO.	NAME HI-FLO® 3 AUTOMATIC SOFTENER TRIPLEX TECHNICAL DATA SHEET		
Let.	Change	By	App	Date		DETAILED BY: KMR 5/03/05	APP. BY: KSR 01/11/10	SHEET 1 OF 1
						REF. NO.	PART NO.	
								S3_3