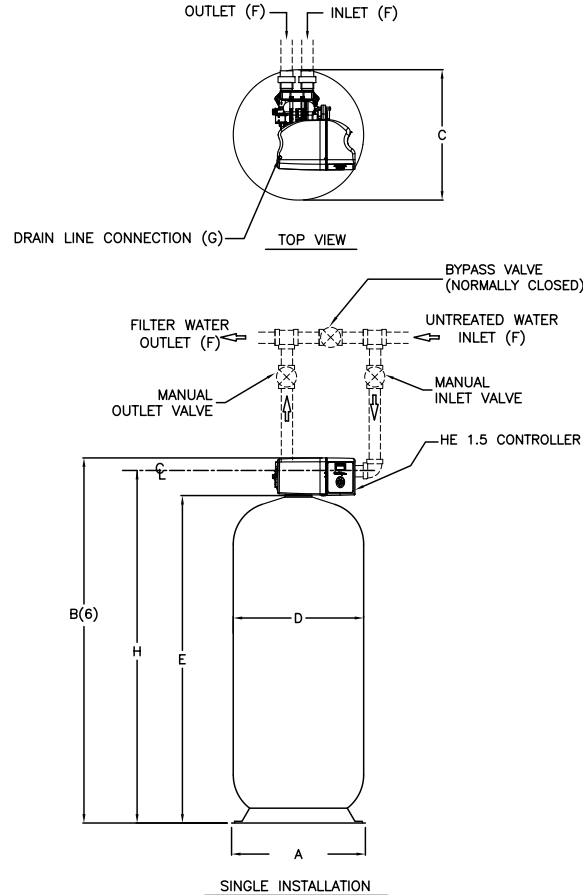


NOTES:

- (1) ITEMS SHOWN IN BROKEN LINES TO BE FURNISHED BY OTHERS.
- (2) ALL DIMENSIONS ARE ± 1 INCH (25mm) AND SUBJECT TO CHANGE WITHOUT NOTICE.
- (3) UNIONS SHOULD BE LOCATED ON INLET AND OUTLET CONNECTIONS OF CONTROL VALVE TO FACILITATE SERVICING.
- (4) THE USE OF DISSIMILAR METALS IN A PIPING SYSTEM IS NOT RECOMMENDED. WHERE DISSIMILAR METALS MUST BE CONNECTED IN A WATER SYSTEM, THE USE OF NONCONDUCTIVE (DIELECTRIC) FITTINGS MAY REDUCE GALVANIC CORROSION.
- (5) AN ELECTRICAL OUTLET SHOULD BE PROVIDED WITHIN FIVE FEET OF THE EQUIPMENT LOCATION.
- (6) ALLOW A MINIMUM OF 24 INCHES ABOVE FILTER FOR FILLING.
- (7) TO PERMIT THE OBSERVATION OF THE DRAIN FLOW DO NOT MAKE A DIRECT CONNECTION TO THE DRAIN. PROVIDE AN AIR GAP OF AT LEAST FOUR TIMES THE DIAMETER OF THE DRAIN PIPE OR CONFORM TO LOCAL SANITATION CODES.
- (8) SYSTEM USES FRP TANKS WHICH MUST NOT BE SUBJECTED TO VACUUM. INSTALL SIPHON BREAK ON DRAIN LINE. INSTALL VACUUM BREAKER ON INLET
- (9) FOR MAXIMUM PROTECTION OF THE CONTROLLER, IT IS RECOMMENDED THAT A DEDICATED 120 VOLT CIRCUIT IS PROVIDED.

MODEL	DIMENSIONS (INCHES)								UNIT DATA PER TANK			BACKWASH DRAIN FLOW gpm	MIN. DRAIN PIPE SIZE IN.	SIMPLEX OPER. WT. lbs.	SIMPLEX SHIP. WT. lbs.
	WIDTH A	HEIGHT B(6)	DEPTH C	TANK DIA. D	TANK HEIGHT E	INLET/OUTLET PIPE SIZES F	DRAIN SIZE G	FLOOR TO INLET H	RESIN VOLUME ft ³	NORMAL FLOW gpm @ psi drop	PEAK FLOW gpm @ psi drop				
HE DF-12	15.5	60	14	12	53	1.5	0.75	57	2.2	8 @ 3	12 @ 5	10	0.75	335	275
HE DF-14	16.5	53	15	14	46	1.5	0.75	50	2.4	11 @ 3	16 @ 6	15	0.75	515	315
HE DF-16	17.5	60	16	16	53	1.5	0.75	57	3.6	14 @ 4	21 @ 6	20	0.75	605	410
HE DF-21	21	74	21	21	67	1.5	0.75	71	7.3	24 @ 8	36 @ 13	30	0.75	910	765



DO NOT SCALE DRAWING
TOLERANCES: ±1/8" UNLESS OTHERWISE NOTED

Let.	Change	By	App	Date

Culligan®
ENGINEERED SYSTEMS
ROSEMONT, ILLINOIS

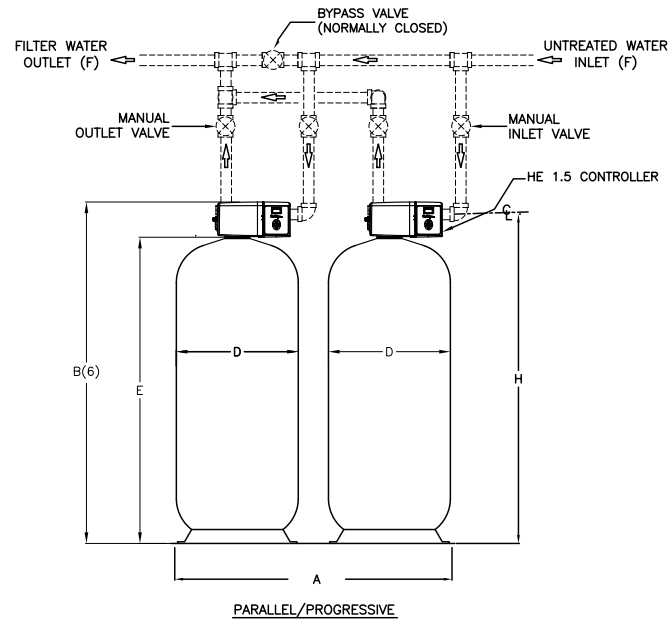
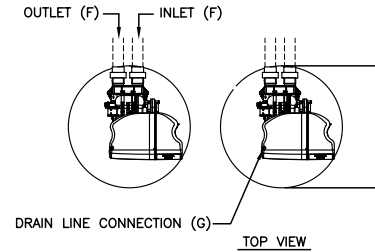
PRINT AND BILL OF MATERIAL ARE NOT TO BE USED WITHOUT THE WRITTEN CONSENT OF CULLIGAN INTERNATIONAL CO.

NAME HE 1.5" AUTOMATIC DEPTH FILTER SINGLE TECHNICAL DATA SHEET		
DETAILED BY: BBV 09/20/11	APP. BY:	SHEET 1 OF 1
REF. NO.	PART NO. HEDF - 1	

NOTES:

- (1) ITEMS SHOWN IN BROKEN LINES TO BE FURNISHED BY OTHERS.
- (2) ALL DIMENSIONS ARE ± 1 INCH (25mm) AND SUBJECT TO CHANGE WITHOUT NOTICE.
- (3) UNIONS SHOULD BE LOCATED ON INLET AND OUTLET CONNECTIONS OF CONTROL VALVE TO FACILITATE SERVICING.
- (4) THE USE OF DISSIMILAR METALS IN A PIPING SYSTEM IS NOT RECOMMENDED. WHERE DISSIMILAR METALS MUST BE CONNECTED IN A WATER SYSTEM, THE USE OF NONCONDUCTIVE (DIELECTRIC) FITTINGS MAY REDUCE GALVANIC CORROSION.
- (5) AN ELECTRICAL OUTLET SHOULD BE PROVIDED WITHIN FIVE FEET OF THE EQUIPMENT LOCATION.
- (6) ALLOW A MINIMUM OF 24 INCHES ABOVE FILTER FOR FILLING.
- (7) TO PERMIT THE OBSERVATION OF THE DRAIN FLOW DO NOT MAKE A DIRECT CONNECTION TO THE DRAIN. PROVIDE AN AIR GAP OF AT LEAST FOUR TIMES THE DIAMETER OF THE DRAIN PIPE OR CONFORM TO LOCAL SANITATION CODES.
- (8) SYSTEM USES FRP TANKS WHICH MUST NOT BE SUBJECTED TO VACUUM. INSTALL SIPHON BREAK ON DRAIN LINE. INSTALL VACUUM BREAKER ON INLET
- (9) FOR MAXIMUM PROTECTION OF THE CONTROLLER, IT IS RECOMMENDED THAT A DEDICATED 120 VOLT CIRCUIT IS PROVIDED.

MODEL	DIMENSIONS (INCHES)								UNIT DATA PER TANK			BACKWASH DRAIN FLOW gpm	MIN. DRAIN PIPE SIZE IN.	SIMPLEX OPER. WT. lbs.	SIMPLEX SHIP. WT. lbs.
	WIDTH A	HEIGHT B(6)	DEPTH C	TANK DIA. D	TANK HEIGHT E	INLET/OUTLET PIPE SIZES F	DRAIN SIZE G	FLOOR TO INLET H	RESIN VOLUME ft ³	NORMAL FLOW gpm @ psi drop	PEAK FLOW gpm @ psi drop				
HE DF-12	36	60	14	12	53	1.5	0.75	57	2.2	8 @ 3	12 @ 5	10	0.75	670	550
HE DF-14	40	53	15	14	46	1.5	0.75	50	2.4	11 @ 3	16 @ 6	15	0.75	1030	630
HE DF-16	42	60	16	16	53	1.5	0.75	57	3.6	14 @ 4	21 @ 6	20	0.75	1210	820
HE DF-21	51	74	21	21	67	1.5	0.75	71	7.3	24 @ 8	36 @ 13	30	0.75	1820	1530



DO NOT SCALE DRAWING TOLERANCES: ±1/8" UNLESS OTHERWISE NOTED				
Let.	Change	By	App	Date

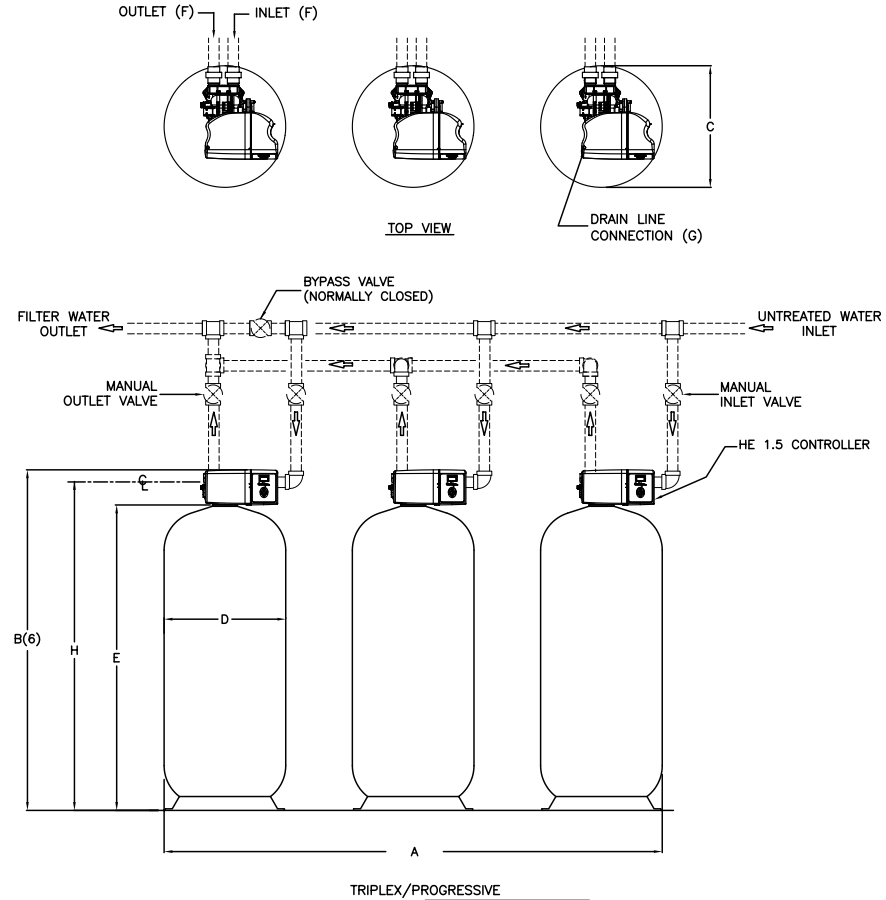
Culligan®
ENGINEERED SYSTEMS
 ROSEMONT, ILLINOIS
 PRINT AND BILL OF MATERIAL ARE NOT TO BE USED WITHOUT THE WRITTEN CONSENT OF CULLIGAN INTERNATIONAL CO.

NAME HE 1.5" AUTOMATIC DEPTH FILTER DUPLEX TECHNICAL DATA SHEET		
DETAILED BY: BBV 09/20/11	APP. BY:	SHEET 1 OF 1
REF. NO.	PART NO. HEDF-2	

NOTES:

- (1) ITEMS SHOWN IN BROKEN LINES TO BE FURNISHED BY OTHERS.
- (2) ALL DIMENSIONS ARE ± 1 INCH (25mm) AND SUBJECT TO CHANGE WITHOUT NOTICE.
- (3) UNIONS SHOULD BE LOCATED ON INLET AND OUTLET CONNECTIONS OF CONTROL VALVE TO FACILITATE SERVICING.
- (4) THE USE OF DISSIMILAR METALS IN A PIPING SYSTEM IS NOT RECOMMENDED. WHERE DISSIMILAR METALS MUST BE CONNECTED IN A WATER SYSTEM, THE USE OF NONCONDUCTIVE (DIELECTRIC) FITTINGS MAY REDUCE GALVANIC CORROSION.
- (5) AN ELECTRICAL OUTLET SHOULD BE PROVIDED WITHIN FIVE FEET OF THE EQUIPMENT LOCATION.
- (6) ALLOW A MINIMUM OF 24 INCHES ABOVE FILTER FOR FILLING.
- (7) TO PERMIT THE OBSERVATION OF THE DRAIN FLOW DO NOT MAKE A DIRECT CONNECTION TO THE DRAIN. PROVIDE AN AIR GAP OF AT LEAST FOUR TIMES THE DIAMETER OF THE DRAIN PIPE OR CONFORM TO LOCAL SANITATION CODES.
- (8) SYSTEM USES FRP TANKS WHICH MUST NOT BE SUBJECTED TO VACUUM. INSTALL SIPHON BREAK ON DRAIN LINE. INSTALL VACUUM BREAKER ON INLET.
- (9) FOR MAXIMUM PROTECTION OF THE CONTROLLER, IT IS RECOMMENDED THAT A DEDICATED 120 VOLT CIRCUIT IS PROVIDED.

MODEL	DIMENSIONS (INCHES)								UNIT DATA PER TANK				BACKWASH DRAIN FLOW gpm	MIN. DRAIN PIPE SIZE IN.	SIMPLEX OPER. WT. lbs.	SIMPLEX SHIP. WT. lbs.
	WIDTH A	HEIGHT B(6)	DEPTH C	TANK DIA. D	TANK HEIGHT E	INLET/OUTLET PIPE SIZES F	DRAIN SIZE G	FLOOR TO INLET H	RESIN VOLUME ft ³	NORMAL FLOW gpm @ psi drop	PEAK FLOW gpm @ psi drop					
HE DF-12	60	60	14	12	53	1.5	0.75	57	2.2	8 @ 3	12 @ 5	10	0.75	1005	825	
HE DF-14	66	53	15	14	46	1.5	0.75	50	2.4	11 @ 3	16 @ 6	15	0.75	1545	945	
HE DF-16	68	60	16	16	53	1.5	0.75	57	3.6	14 @ 4	21 @ 6	20	0.75	1815	1230	
HE DF-21	83	74	21	21	67	1.5	0.75	71	7.3	24 @ 8	36 @ 13	30	0.75	2730	2355	



DO NOT SCALE DRAWING
TOLERANCES: ±1/8" UNLESS OTHERWISE NOTED

Let.	Change	By	App	Date

Culligan®
ENGINEERED SYSTEMS
ROSEMONT, ILLINOIS

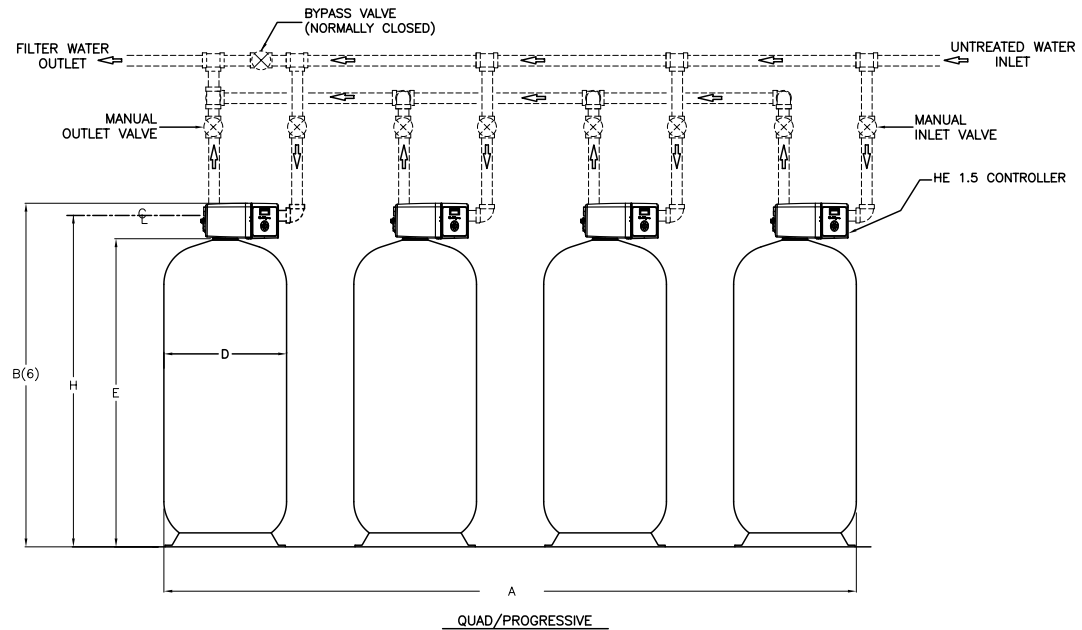
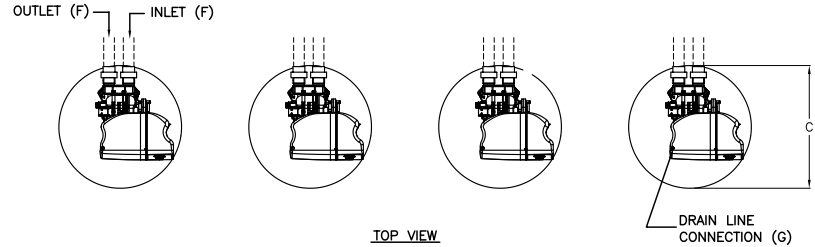
PRINT AND BILL OF MATERIAL ARE NOT TO BE USED WITHOUT THE WRITTEN CONSENT OF CULLIGAN INTERNATIONAL CO.

NAME HE 1.5" AUTOMATIC DEPTH FILTER TRIPLEX TECHNICAL DATA SHEET		
DETAILED BY: BBV	APP. BY: 09/21/11	SHEET 1 OF 1
REF. NO.	PART NO. HEDF-3	

NOTES:

- (1) ITEMS SHOWN IN BROKEN LINES TO BE FURNISHED BY OTHERS.
- (2) ALL DIMENSIONS ARE ± 1 INCH (25mm) AND SUBJECT TO CHANGE WITHOUT NOTICE.
- (3) UNIONS SHOULD BE LOCATED ON INLET AND OUTLET CONNECTIONS OF CONTROL VALVE TO FACILITATE SERVICING.
- (4) THE USE OF DISSIMILAR METALS IN A PIPING SYSTEM IS NOT RECOMMENDED. WHERE DISSIMILAR METALS MUST BE CONNECTED IN A WATER SYSTEM. THE USE OF NONCONDUCTIVE (DIELECTRIC) FITTINGS MAY REDUCE GALVANIC CORROSION.
- (5) AN ELECTRICAL OUTLET SHOULD BE PROVIDED WITHIN FIVE FEET OF THE EQUIPMENT LOCATION.
- (6) ALLOW A MINIMUM OF 24 INCHES ABOVE FILTER FOR FILLING.
- (7) TO PERMIT THE OBSERVATION OF THE DRAIN FLOW DO NOT MAKE A DIRECT CONNECTION TO THE DRAIN. PROVIDE AN AIR GAP OF AT LEAST FOUR TIMES THE DIAMETER OF THE DRAIN PIPE OR CONFORM TO LOCAL SANITATION CODES.
- (8) SYSTEM USES FRP TANKS WHICH MUST NOT BE SUBJECTED TO VACUUM. INSTALL SIPHON BREAK ON DRAIN LINE. INSTALL VACUUM BREAKER ON INLET
- (9) FOR MAXIMUM PROTECTION OF THE CONTROLLER, IT IS RECOMMENDED THAT A DEDICATED 120 VOLT CIRCUIT IS PROVIDED.

MODEL	DIMENSIONS (INCHES)								UNIT DATA PER TANK			BACKWASH DRAIN FLOW gpm	MIN. DRAIN PIPE SIZE IN.	SIMPLEX OPER. WT. lbs.	SIMPLEX SHIP. WT. lbs.
	WIDTH A	HEIGHT B(6)	DEPTH C	TANK DIA. D	TANK HEIGHT E	INLET/OUTLET PIPE SIZES F	DRAIN SIZE G	FLOOR TO INLET H	RESIN VOLUME ft ³	NORMAL FLOW gpm @ psi	PEAK FLOW gpm @ psi				
HE DF-12	84	60	14	12	53	1.5	0.75	57	2.2	8 @ 3	12 @ 5	10	0.75	1340	1100
HE DF-14	92	53	15	14	46	1.5	0.75	50	2.4	11 @ 3	16 @ 6	15	0.75	2060	1260
HE DF-16	94	60	16	16	53	1.5	0.75	57	3.6	14 @ 4	21 @ 6	20	0.75	2420	1640
HE DF-21	114	74	21	21	67	1.5	0.75	71	7.3	24 @ 8	36 @ 13	30	0.75	3640	3060



DO NOT SCALE DRAWING TOLERANCES: ±1/8" UNLESS OTHERWISE NOTED				
Let.	Change	By	App	Date

Culligan®
ENGINEERED SYSTEMS
 ROSEMONT, ILLINOIS

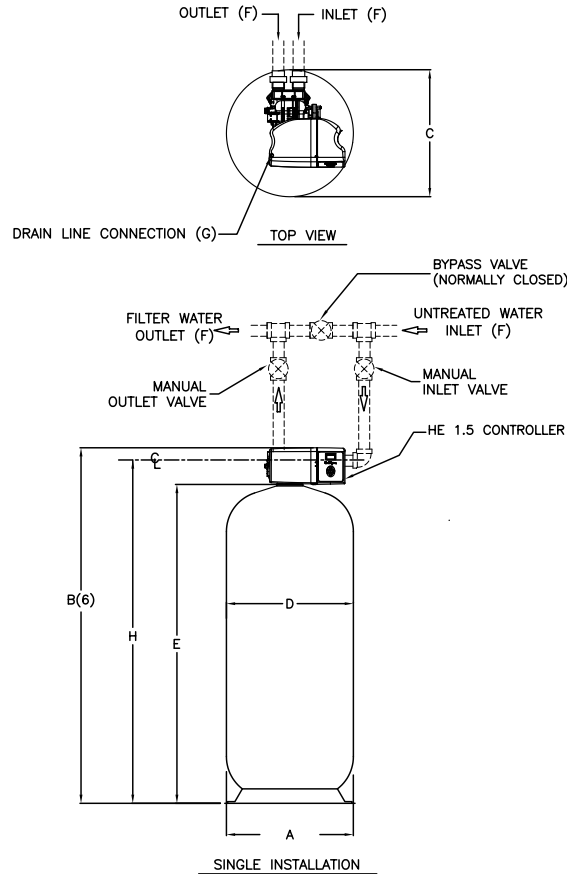
PRINT AND BILL OF MATERIAL ARE NOT TO BE USED WITHOUT THE WRITTEN CONSENT OF CULLIGAN INTERNATIONAL CO.

NAME HE 1.5" AUTOMATIC DEPTH FILTER QUAD TECHNICAL DATA SHEET		
DETAILED BY: BBV 09/21/11	APP. BY:	SHEET 1 OF 1
REF. NO.	PART NO. HEDF-4	

NOTES:

- (1) ITEMS SHOWN IN BROKEN LINES TO BE FURNISHED BY OTHERS.
- (2) ALL DIMENSIONS ARE ± 1 INCH (25mm) AND SUBJECT TO CHANGE WITHOUT NOTICE.
- (3) UNIONS SHOULD BE LOCATED ON INLET AND OUTLET CONNECTIONS OF CONTROL VALVE TO FACILITATE SERVICING.
- (4) THE USE OF DISSIMILAR METALS IN A PIPING SYSTEM IS NOT RECOMMENDED. WHERE DISSIMILAR METALS MUST BE CONNECTED IN A WATER SYSTEM. THE USE OF NONCONDUCTIVE (DIELECTRIC) FITTINGS MAY REDUCE GALVANIC CORROSION.
- (5) AN ELECTRICAL OUTLET SHOULD BE PROVIDED WITHIN FIVE FEET OF THE EQUIPMENT LOCATION.
- (6) ALLOW A MINIMUM OF 24 INCHES ABOVE FILTER FOR FILLING.
- (7) TO PERMIT THE OBSERVATION OF THE DRAIN FLOW DO NOT MAKE A DIRECT CONNECTION TO THE DRAIN. PROVIDE AN AIR GAP OF AT LEAST FOUR TIMES THE DIAMETER OF THE DRAIN PIPE OR CONFORM TO LOCAL SANITATION CODES.
- (8) SYSTEM USES FRP TANKS WHICH MUST NOT BE SUBJECTED TO VACUUM. INSTALL SIPHON BREAK ON DRAIN LINE. INSTALL VACUUM BREAKER ON INLET
- (9) FOR MAXIMUM PROTECTION OF THE CONTROLLER, IT IS RECOMMENDED THAT A DEDICATED 120 VOLT CIRCUIT IS PROVIDED.

MODEL	DIMENSIONS (INCHES)								UNIT DATA PER TANK						
	WIDTH A	HEIGHT B(6)	DEPTH C	TANK DIA. D	TANK HEIGHT E	INLET/OUTLET PIPE SIZES F	DRAIN SIZE G	FLOOR TO INLET H	RESIN VOLUME ft ³	TASTE ODOR & ORGANIC REMOVAL FLOW gpm @ psi	DECHLORINATION FLOW gpm @ psi	BACKWASH DRAIN FLOW gpm	MIN. DRAIN PIPE SIZE IN.	SIMPLEX OPER. WT. lbs.	SIMPLEX SHIP. WT. lbs.
HE CF-12	15.5	60	14	12	53	1.5	0.75	57	2.0	4 @ 1	8 @ 1	8	0.75	235	180
HE CF-14	16.5	53	15	14	46	1.5	0.75	50	3.0	5 @ 1	11 @ 2	10	0.75	370	245
HE CF-16	17.5	60	16	16	53	1.5	0.75	57	3.0	7 @ 1	14 @ 2	15	0.75	470	280
HE CF-21	21	74	21	21	67	1.5	0.75	71	6.0	12 @ 2	24 @ 8	25	0.75	620	515



DO NOT SCALE DRAWING TOLERANCES: ±1/8" UNLESS OTHERWISE NOTED				
Let.	Change	By	App	Date

Culligan®
ENGINEERED SYSTEMS
 ROSEMONT, ILLINOIS

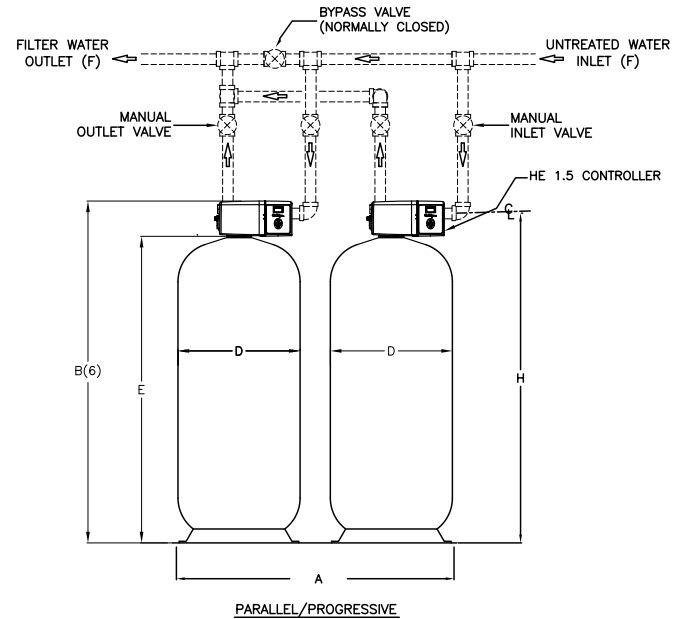
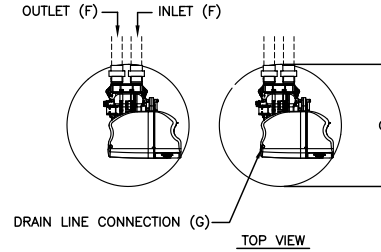
PRINT AND BILL OF MATERIAL ARE NOT TO BE USED WITHOUT THE WRITTEN CONSENT OF CULLIGAN INTERNATIONAL CO.

NAME HE 1.5" AUTOMATIC CARBON FILTER SINGLE TECHNICAL DATA SHEET		
DETAILED BY: BBV 09/20/11	APP. BY:	SHEET 1 OF 1
REF. NO.	PART NO. HECF - 1	

NOTES:

- (1) ITEMS SHOWN IN BROKEN LINES TO BE FURNISHED BY OTHERS.
- (2) ALL DIMENSIONS ARE ± 1 INCH (25mm) AND SUBJECT TO CHANGE WITHOUT NOTICE.
- (3) UNIONS SHOULD BE LOCATED ON INLET AND OUTLET CONNECTIONS OF CONTROL VALVE TO FACILITATE SERVICING.
- (4) THE USE OF DISSIMILAR METALS IN A PIPING SYSTEM IS NOT RECOMMENDED. WHERE DISSIMILAR METALS MUST BE CONNECTED IN A WATER SYSTEM, THE USE OF NONCONDUCTIVE (DIELECTRIC) FITTINGS MAY REDUCE GALVANIC CORROSION.
- (5) AN ELECTRICAL OUTLET SHOULD BE PROVIDED WITHIN FIVE FEET OF THE EQUIPMENT LOCATION.
- (6) ALLOW A MINIMUM OF 24 INCHES ABOVE FILTER FOR FILLING.
- (7) TO PERMIT THE OBSERVATION OF THE DRAIN FLOW DO NOT MAKE A DIRECT CONNECTION TO THE DRAIN. PROVIDE AN AIR GAP OF AT LEAST FOUR TIMES THE DIAMETER OF THE DRAIN PIPE OR CONFORM TO LOCAL SANITATION CODES.
- (8) SYSTEM USES FRP TANKS WHICH MUST NOT BE SUBJECTED TO VACUUM. INSTALL SIPHON BREAK ON DRAIN LINE. INSTALL VACUUM BREAKER ON INLET
- (9) FOR MAXIMUM PROTECTION OF THE CONTROLLER, IT IS RECOMMENDED THAT A DEDICATED 120 VOLT CIRCUIT IS PROVIDED.

MODEL	DIMENSIONS (INCHES)								UNIT DATA PER TANK				MIN. DRAIN PIPE SIZE IN.	SIMPLEX OPER. WT. lbs.	SIMPLEX SHIP. WT. lbs.
	WIDTH A	HEIGHT B(6)	DEPTH C	TANK DIA. D	TANK HEIGHT E	INLET/OUTLET PIPE SIZES F	DRAIN SIZE G	FLOOR TO INLET H	RESIN VOLUME ft ³	TASTE ODOR & ORGANIC REMOVAL FLOW gpm @ psi drop	DECHLORINATION FLOW gpm @ psi drop	BACKWASH DRAIN FLOW gpm			
HE CF-12	36	60	14	12	53	1.5	0.75	57	2.0	4 @ 1	8 @ 1	8	0.75	470	360
HE CF-14	40	53	15	14	46	1.5	0.75	50	3.0	5 @ 1	11 @ 2	10	0.75	740	490
HE CF-16	42	60	16	16	53	1.5	0.75	57	3.0	7 @ 1	14 @ 2	15	0.75	940	560
HE CF-21	51	74	21	21	67	1.5	0.75	71	6.0	12 @ 2	24 @ 8	25	0.75	1240	1030



DO NOT SCALE DRAWING
TOLERANCES: ±1/8" UNLESS OTHERWISE NOTED

Let.	Change	By	App	Date

Culligan®
ENGINEERED SYSTEMS
ROSEMONT, ILLINOIS

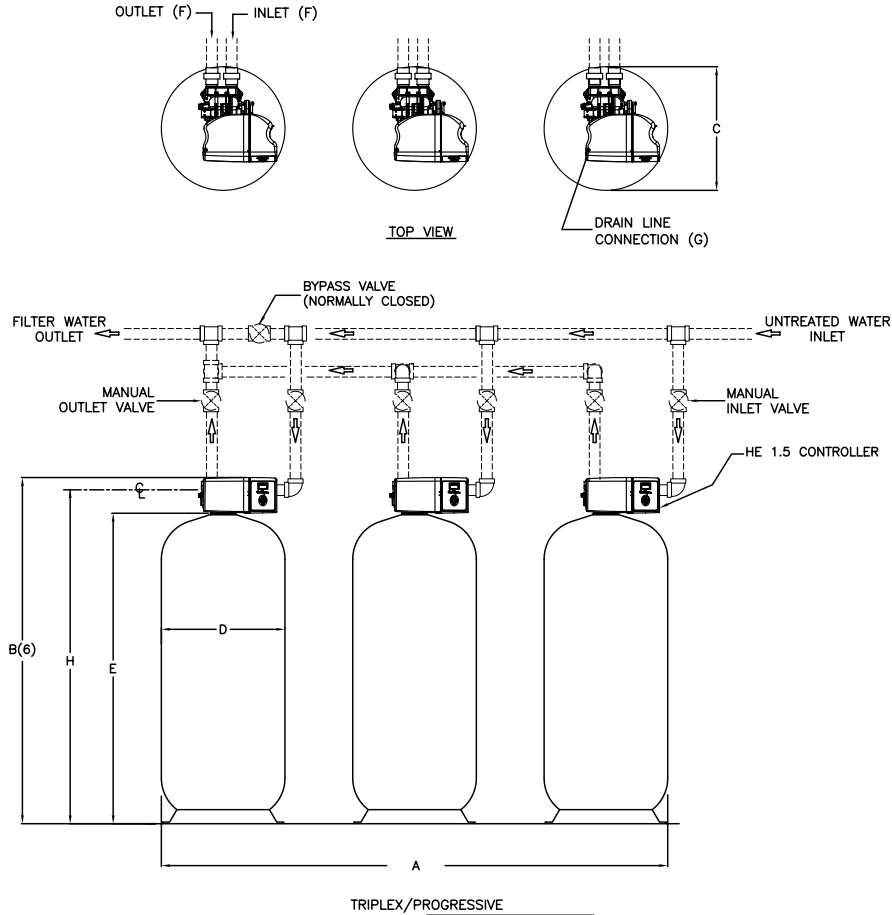
PRINT AND BILL OF MATERIAL ARE NOT TO BE USED WITHOUT THE WRITTEN CONSENT OF CULLIGAN INTERNATIONAL CO.

NAME HE 1.5" AUTOMATIC CARBON FILTER DUPLEX TECHNICAL DATA SHEET		
DETAILED BY: BBV 09/20/11	APP. BY:	SHEET 1 OF 1
REF. NO.	PART NO. HECF-2	

NOTES:

- (1) ITEMS SHOWN IN BROKEN LINES TO BE FURNISHED BY OTHERS.
- (2) ALL DIMENSIONS ARE ± 1 INCH (25mm) AND SUBJECT TO CHANGE WITHOUT NOTICE.
- (3) UNIONS SHOULD BE LOCATED ON INLET AND OUTLET CONNECTIONS OF CONTROL VALVE TO FACILITATE SERVICING.
- (4) THE USE OF DISSIMILAR METALS IN A PIPING SYSTEM IS NOT RECOMMENDED. WHERE DISSIMILAR METALS MUST BE CONNECTED IN A WATER SYSTEM, THE USE OF NONCONDUCTIVE (DIELECTRIC) FITTINGS MAY REDUCE GALVANIC CORROSION.
- (5) AN ELECTRICAL OUTLET SHOULD BE PROVIDED WITHIN FIVE FEET OF THE EQUIPMENT LOCATION.
- (6) ALLOW A MINIMUM OF 24 INCHES ABOVE FILTER FOR FILLING.
- (7) TO PERMIT THE OBSERVATION OF THE DRAIN FLOW DO NOT MAKE A DIRECT CONNECTION TO THE DRAIN. PROVIDE AN AIR GAP OF AT LEAST FOUR TIMES THE DIAMETER OF THE DRAIN PIPE OR CONFORM TO LOCAL SANITATION CODES.
- (8) SYSTEM USES FRP TANKS WHICH MUST NOT BE SUBJECTED TO VACUUM. INSTALL SIPHON BREAK ON DRAIN LINE. INSTALL VACUUM BREAKER ON INLET.
- (9) FOR MAXIMUM PROTECTION OF THE CONTROLLER, IT IS RECOMMENDED THAT A DEDICATED 120 VOLT CIRCUIT IS PROVIDED.

MODEL	DIMENSIONS (INCHES)								UNIT DATA PER TANK				MIN. DRAIN PIPE SIZE IN.	SIMPLEX OPER. WT. lbs.	SIMPLEX SHIP. WT. lbs.
	WIDTH A	HEIGHT B(6)	DEPTH C	TANK DIA. D	TANK HEIGHT E	INLET/OUTLET PIPE SIZES F	DRAIN SIZE G	FLOOR TO INLET H	RESIN VOLUME ft ³	TASTE ODOR & ORGANIC REMOVAL FLOW gpm @ drop	DECHLORINATION FLOW gpm @ psi drop	BACKWASH DRAIN FLOW gpm			
HE CF-12	60	60	14	12	53	1.5	0.75	57	2.0	4 @ 1	8 @ 1	8	0.75	705	540
HE CF-14	66	53	15	14	46	1.5	0.75	50	3.0	5 @ 1	11 @ 2	10	0.75	1110	735
HE CF-16	68	60	16	16	53	1.5	0.75	57	3.0	7 @ 1	14 @ 2	15	0.75	1410	840
HE CF-21	83	74	21	21	67	1.5	0.75	71	6.0	12 @ 2	24 @ 8	25	0.75	1860	1545



DO NOT SCALE DRAWING TOLERANCES: ±1/8" UNLESS OTHERWISE NOTED				
Let.	Change	By	App	Date

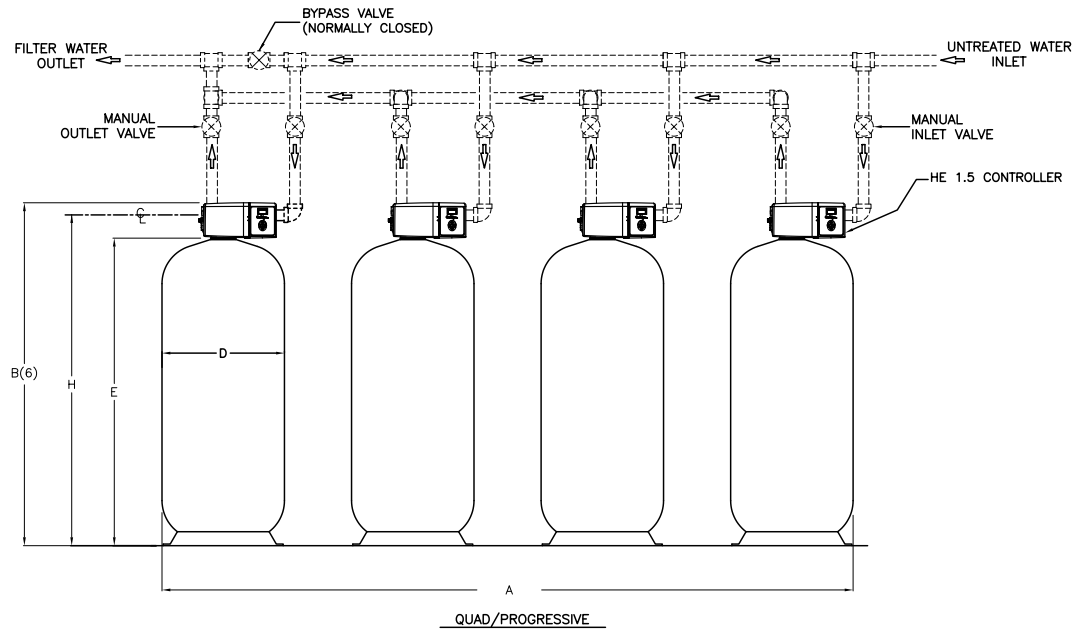
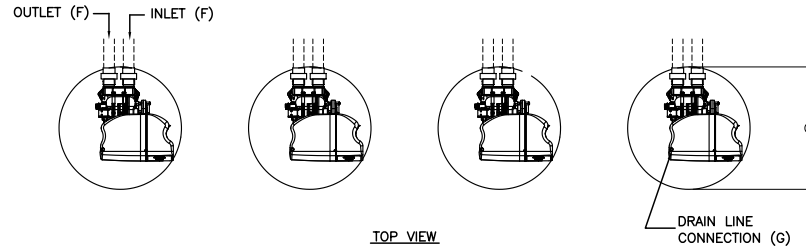
Culligan®
ENGINEERED SYSTEMS
 ROSEMONT, ILLINOIS
 PRINT AND BILL OF MATERIAL ARE NOT TO BE USED WITHOUT THE WRITTEN CONSENT OF CULLIGAN INTERNATIONAL CO.

NAME HE 1.5" AUTOMATIC CARBON FILTER TRIPLEX TECHNICAL DATA SHEET		
DETAILED BY: BBV 09/21/11	APP. BY:	SHEET 1 OF 1
REF. NO.	PART NO. HECF-3	

NOTES:

- (1) ITEMS SHOWN IN BROKEN LINES TO BE FURNISHED BY OTHERS.
- (2) ALL DIMENSIONS ARE ± 1 INCH (25mm) AND SUBJECT TO CHANGE WITHOUT NOTICE.
- (3) UNIONS SHOULD BE LOCATED ON INLET AND OUTLET CONNECTIONS OF CONTROL VALVE TO FACILITATE SERVICING.
- (4) THE USE OF DISSIMILAR METALS IN A PIPING SYSTEM IS NOT RECOMMENDED. WHERE DISSIMILAR METALS MUST BE CONNECTED IN A WATER SYSTEM. THE USE OF NONCONDUCTIVE (DIELECTRIC) FITTINGS MAY REDUCE GALVANIC CORROSION.
- (5) AN ELECTRICAL OUTLET SHOULD BE PROVIDED WITHIN FIVE FEET OF THE EQUIPMENT LOCATION.
- (6) ALLOW A MINIMUM OF 24 INCHES ABOVE FILTER FOR FILLING.
- (7) TO PERMIT THE OBSERVATION OF THE DRAIN FLOW DO NOT MAKE A DIRECT CONNECTION TO THE DRAIN. PROVIDE AN AIR GAP OF AT LEAST FOUR TIMES THE DIAMETER OF THE DRAIN PIPE OR CONFORM TO LOCAL SANITATION CODES.
- (8) SYSTEM USES FRP TANKS WHICH MUST NOT BE SUBJECTED TO VACUUM. INSTALL SIPHON BREAK ON DRAIN LINE. INSTALL VACUUM BREAKER ON INLET ON DRAIN LINE. INSTALL VACUUM BREAKER ON INLET
- (9) FOR MAXIMUM PROTECTION OF THE CONTROLLER, IT IS RECOMMENDED THAT A DEDICATED 120 VOLT CIRCUIT IS PROVIDED.

MODEL	DIMENSIONS (INCHES)								UNIT DATA PER TANK						
	WIDTH A	HEIGHT B(6)	DEPTH C	TANK DIA. D	TANK HEIGHT E	INLET/OUTLET PIPE SIZES F	DRAIN SIZE G	FLOOR TO INLET H	RESIN VOLUME ft ³	TASTE ODOR & ORGANIC REMOVAL FLOW gpm @ psi drop	DECHLORINATION FLOW gpm @ psi drop	BACKWASH DRAIN FLOW gpm	MIN. DRAIN PIPE SIZE IN.	SIMPLEX OPER. WT. lbs.	SIMPLEX SHIP. WT. lbs.
HE CF-12	84	60	14	12	53	1.5	0.75	57	2.0	4 @ 1	8 @ 1	8	0.75	940	720
HE CF-14	92	53	15	14	46	1.5	0.75	50	3.0	5 @ 1	11 @ 2	10	0.75	1480	980
HE CF-16	94	60	16	16	53	1.5	0.75	57	3.0	7 @ 1	14 @ 2	15	0.75	1880	1120
HE CF-21	114	74	21	21	67	1.5	0.75	71	6.0	12 @ 2	24 @ 8	25	0.75	2480	2060



DO NOT SCALE DRAWING TOLERANCES: ±1/8" UNLESS OTHERWISE NOTED				
Let.	Change	By	App	Date

Culligan®
ENGINEERED SYSTEMS
 ROSEMONT, ILLINOIS

PRINT AND BILL OF MATERIAL ARE NOT TO BE USED WITHOUT THE WRITTEN CONSENT OF CULLIGAN INTERNATIONAL CO.

NAME HE 1.5" AUTOMATIC CARBON FILTER QUAD TECHNICAL DATA SHEET		
DETAILED BY: BBV 09/21/11	APP. BY:	SHEET 1 OF 1
REF. NO.	PART NO. HECF-4	